

# ES9000 Series Pre-Load Strike



The Lockwood Padde Series ES9000 has been designed to suit the harshest commercial environments, and has the unique feature of the ability to operate with up to 25kg of pre-load pressure on the keeper. Pre-load is a common condition that is caused by pulling on a door before it unlocks, the weight of warped or drooping doors, seals on fire doors or by differential air pressure created when heating and cooling systems are in use.

Standard features include multi voltage 10 - 30Vdc and field changeable settings from fail safe to fail secure.

Built to last, this is a premium locking solution that has been tested in excess of 2 million cycles and boasts unique features like no other available on the market today.

## Key Features

- Operates under pre load up to 25kg
- Easy field selectable fail safe/fail secure
- Multi voltage 10-30Vdc
- 1300kg holding force
- 2.5 million cycles endurance rating
- Latch keeper is significantly quieter in operation
- Weather resistant
- Mounting tabs as standard
- Non handed
- 5 Year Tricare Warranty (Padde Series)
- Weather Resistant (IP54)
- Built in Protection Diode

## Applications

- High traffic areas
- Doors subjected to side load (pre load)
- Fire rated door sets
- Open in/open out doors
- Suitable for use with all access control systems

## Product Details

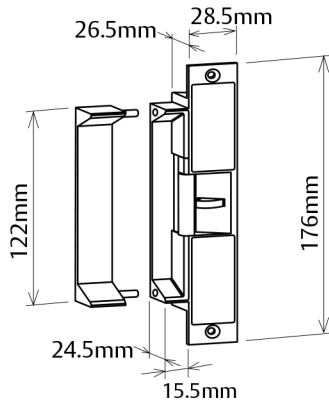
|                      |   |
|----------------------|---|
| <b>Voltage</b>       | 10 or 30Vdc   |
| <b>Current</b>       | 250mA @ 12Vdc - 130mA @ 24Vdc   |
| <b>Solenoids</b>     | Solenoids rated for continuous use.   |
| <b>Monitoring</b>    | Solenoid Monitor - 1 amp NO/NC microswitch<br>Door / Latch - 1 amp NO/NC microswitch                                |
| <b>Holding Force</b> | 1300kg Static Strength Rating   |
| <b>Endurance</b>     | 1,200,000 cycles endurance rating @ 25kg pre-load<br>2,500,00 cycles general durability without pre-load conditions |
| <b>Latching</b>      | Suitable for 15mm latch with 3mm door gap   |
| <b>Environment</b>   | Operational temperature range - 20C to +60C   |
| <b>Body</b>          | Solid Stainless Steel Construction  |
| <b>Keeper</b>        | Stainless Steel   |

## Standards and Compliance

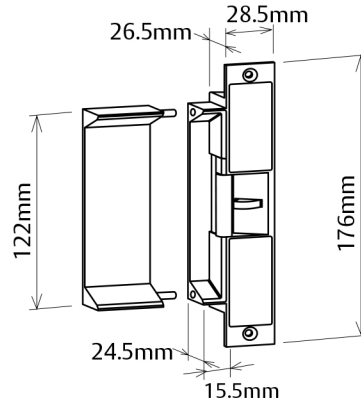
|   |   |
|---|---|
| <b>S3</b>   | (Security) Australian Lock Standard (AS4145.2.1993)   |
| <b>D3</b>   | (Durability) Australian Lock Standard (AS4145.2.1993)   |
|  | Successfully fire rated up to 4hrs on fire door assemblies in accordance with AS1905.1. 2005 (Part 1: Fire resistant door sets) |
|  | CE Approved   |
|  | C-Tick Certified  |

SCEC Endorsed for SL3 Medium Threat Level Areas

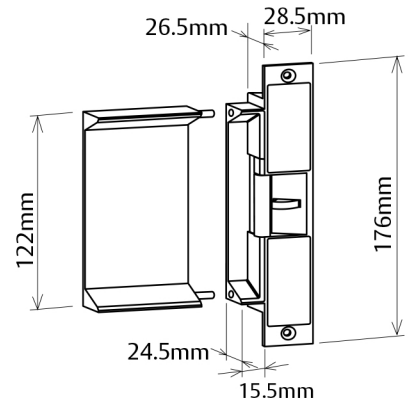
# ES9000 Series Pre-Load Strike



ES9000 with 25mm Extension Lip



ES9000 with 50mm Extension Lip



ES9000 with 75mm Extension Lip

## Ordering Information

| Part Number | Product Description   |
|-------------|---|
| ES9000      | ES9000 E/Strike 12-30Vdc M/Function Preload Monitored           |
| ES9000-010  | ES9000 E/Strike 12-30Vdc M/Function Preload Monitored No Lip    |
| ES9000-020  | ES9000 E/Strike 12-30Vdc M/Function Preload Monitored 8mm Lip   |
| ES9000-060  | ES9000 E/Strike 12-30Vdc M/Function Preload Monitored Lip Holes |

## Accessories Ordering Information

| Part Number | Product Description               |
|-------------|-----------------------------------|
| 210100-541  | 13mm Rebate Plate                 |
| 220200-505  | 25mm Extension Lip (40.5mm total) |
| 220200-506  | 50mm Extension Lip (65.5mm total) |
| 220200-507  | 75mm Extension Lip (90.5mm total) |
| 220200-519  | Mounting Kit                      |

**Note:** All ES9000 series electric strikes are supplied in Fail Safe configuration.

## Specification Statement

The electric strike should be fully monitored and have independent door / latch and solenoid monitor switches. Holding force for the strike should be not less than 1300kg.

Where Power to Lock and Power to Open functions may be required in the same building, a single electric strike should be interchangeable from either fail safe or fail secure from the rear of the strike.

The electric strike should not consume current greater than 250mA @ 12Vdc and have a solenoid rated for continuous use. A fire rating not less than 4 hours is required where applicable. The strike must be capable of operating with up to 25kg of pre-load pressure applied to the keeper, be tested to 2.5 million operations and carry a minimum warranty of 5 years.