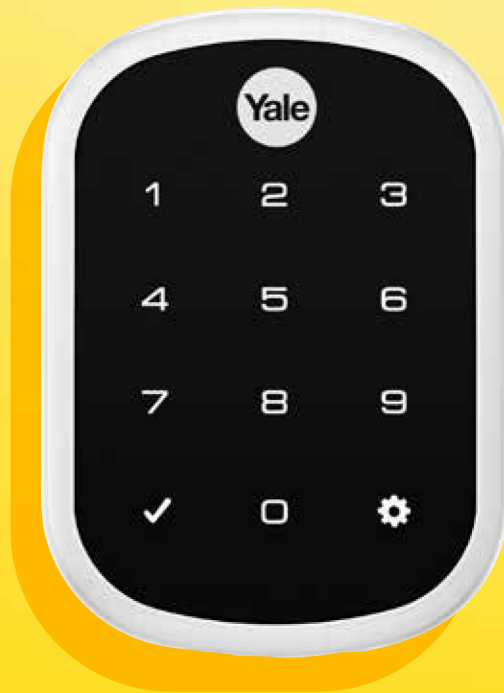


Assure Lock[®] SL



Never worry about carrying around or losing your house keys again, simply lock and unlock your door with the sleek touchscreen keypad. Create unique PIN codes to share with your family and friends for ultimate convenience. The Assure Lock SL can be upgraded with a Yale Module to integrate seamlessly with your home automation or alarm system.

This sleek and modern touchscreen deadbolt allows homeowners to enjoy the convenience of 100% key free unlocking.

You'll never have to carry your keys again. Create unique PIN codes for friends and family and remove codes whenever you need to.

Works with your Smart Home

The Assure Lock SL can be upgraded with a Yale Module (Yale Access, Z-Wave Plus* and ZigBee*) to integrate into most home automation systems so that you can control and monitor the lock from anywhere in the world.

*Modules are sold separately

Features & Specifications

- Simple installation
- Create up to 25 unique PIN codes
- Keyless entry
- Suits a standard 54mm timber door preparation
- Adjustable 60-70mm backset
- 4 x AA Alkaline Batteries
- 9V battery backup
- Home automation integration capabilities with Yale Network Module
- Available in Satin Chrome finish



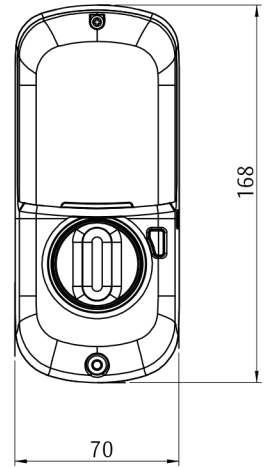
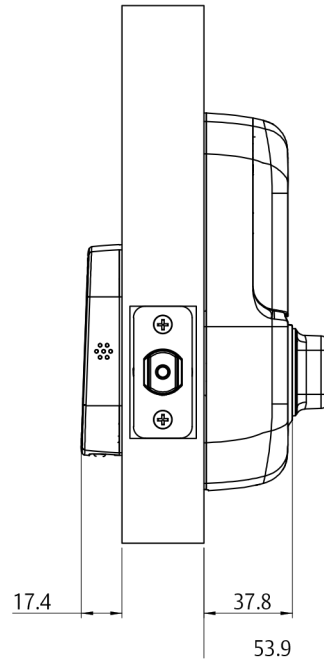
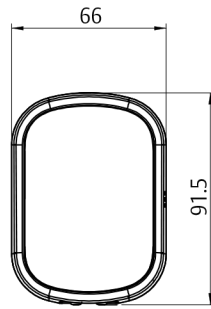
Assure Lock® SL



Exterior



Interior



Exterior



Interior

Description	Part Number
Yale Assure Lock SL Satin Chrome	YRD256NRSC
Yale Assure Lock SL Matt Black	YRD256NRMBK

Lock Compatibility



	Unity	Unity + Bridge	Unity + Bridge + Keypad	Unity Screen Door Lock	Unity Screen Door Lock + Keypad	Unity Screen Door Lock + Bridge	Unity Screen Door Lock + Bridge + Keypad
Local Access via Bluetooth	✓	✓	✓	✓	✓	✓	✓
Remote Access		✓	✓			✓	✓
Digital Deadlocking	✓	✓	✓	✓	✓	✓	✓
Total Control via App	✓	✓	✓	✓	✓	✓	✓
Auto-Unlock / Auto-Lock	✓	✓	✓	✓	✓	✓	✓
Audit Trails	✓	✓	✓	✓	✓	✓	✓
Open with Keycodes			✓		✓		✓
DoorSense/DPS	✓	✓	✓	✓	✓	✓	✓
Works with Apple HomeKit	✓	✓	✓	✓	✓	✓	✓
Works with Amazon Alexa		✓	✓			✓	✓
Works with Google Assistant		✓	✓			✓	✓
Works with Samsung SmartThings		✓	✓			✓	✓



	Assure/Assure SL	Assure/Assure SL + Access Module	Assure/Assure SL + Access module + Bridge
Local Access via Bluetooth		✓	✓
Remote Access			✓
Digital Deadlocking			
Total Control via App		✓	✓
Auto-Unlock / Auto-Lock		✓	✓
Audit Trails		✓	✓
Open with Keycodes	✓	✓	✓
DoorSense/DPS		✓	✓
Works with Apple HomeKit		✓	✓
Works with Amazon Alexa			✓
Works with Google Assistant			✓
Works with Samsung SmartThings			✓