

Unity Entrance Lock



Designed specifically for the Australian market, the Unity Entrance Lock has patented digital deadlocking technology allowing you to lock both the internal and external handles on your door.

The Unity Entrance Lock has three modes: Unlock (green), Locked (yellow) and Secure (red) - all indicated by an inbuilt LED light.

Controllable by either your Yale Home App, Contactless Key Tag or the Yale Smart Keypad*, the Unity Entrance Lock provides you with a range of options to control your lock.

The Yale Home App allows you to lock and unlock your door, grant access to others and keep track of visitor access, all via your smartphone. Grant users one-time access, access for a set period of time or a date range and avoid any lost, stolen or copied keys.

Using Bluetooth, Wi-Fi, GPS and the Yale Home App, the auto unlock feature unlocks your door as you approach it.

The Yale Unity Nexion Retrofit Kit* offers customers the option to upgrade the Lockwood Nexion Mechanical and Nexion Keyless Entrance Locksets to a Yale Unity Entrance Lock. This includes a latch and 3 sizes of strike plates to cover 35-45mm thick jambs. With their metallic finish, the latch and strike plates ensure a clean, high-quality appearance. The latch and strike plates are also designed to accommodate Yale Unity's door position sensor.

This door position sensor checks the status of the door and tells you if your door is open or closed, giving you the peace of mind that your door is secure when locking up.

The Unity Entrance Lock can be upgraded using the Yale Connect or Connect Plus Wi-Fi Bridge*. This allows you to access your lock from wherever you are in the world. Remote features include the ability to lock, unlock, manage user access and update lock settings.

The Yale Connect Bridge enables integration with your Google, Samsung or Alexa smart home hubs. The Unity Entrance Lock is also Apple HomeKit compatible (see Lock Compatibility Table on p.29 for details).

With the Yale Smart Keypad*, you can lock and unlock your door via PIN codes.

The durable metal Yale Unity Installation Template* is tradesperson friendly - particularly where multiple or ongoing installations are required.

The Unity Lock meets Australian lock standards AS4145.2:2008, SL8 and D8.

Available in Silver and Matt Black finishes.

***Yale Connect, Connect Plus Wi-Fi Bridge, Yale Smart Keypad, Yale Unity Nexion Retrofit Kit and Yale Unity Installation Template sold separately.**

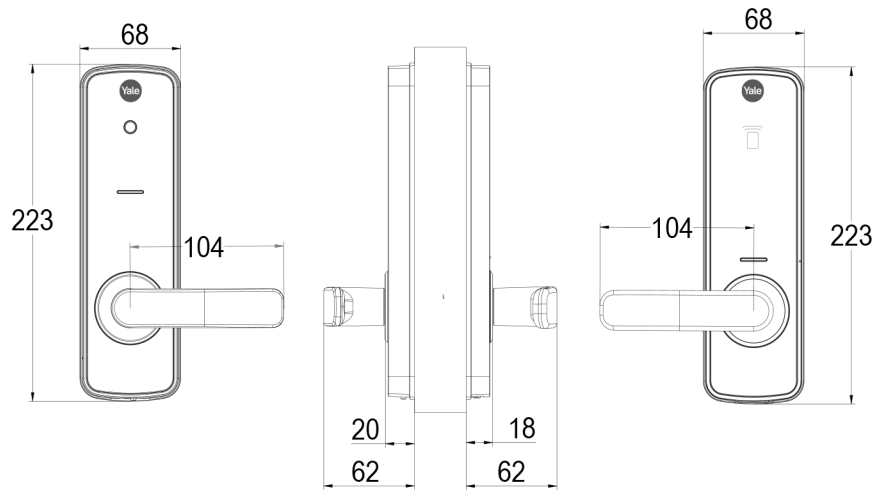
NOTE: Yale Unity Nexion Retrofit Kit not suitable for use on fire door applications.

Unity Entrance Lock



Exterior

Interior



Features & Specifications

- Digital deadlocking
- Certified to SL8 (Security) & to D8 (Durability) Australian Lock Standard (AS4145.2:2008)
- Certified to BAL-40 Bushfire Level (AS1530.8.1-2007)
- Fits standard doors 35mm- 60mm thick
- 60-70mm backset latch compatible
- Total control via App
- Auto unlock
- Tailor user access
- Lock alert
- 24/7 Lock Activity trails
- Door Position Sensor
- 100% keyfree

Finishes



Display Pack

Description	Part Number
Yale Unity Entrance Lock	Silver: YUR/DEL/1/SIL Matt Black: YUR/DEL/1/MBK

Trade Packs

Yale Unity Entrance Lock with Connect Plus Wi-Fi Bridge	Silver: YUR/DEL/PBDG/SIL Matt Black: YUR/DEL/PBDG/MBK
Yale Unity Entrance Lock Silver with Smart Keypad	YUR/DEL/KP/SIL
Yale Unity Entrance Lock with Connect Plus Wi-Fi Bridge and Smart Keypad	Silver: YUR/DEL/PKIT/SIL Matt Black: YUR/DEL/PKIT/MBK
Yale Contactless Key Tag	YDKEYTAG
Yale Unity Installation Template	YUR/TEMPLATE
Yale Unity Nexion Retrofit Kit	YUR/NX/KIT
Yale 530 Series Tubular Deadlatch 70mm Backset Satin Chrome	Y530-222SC

Technical Specifications

Australian Standard	AS4145.2:2008, SL8 Security, D8 Durability, AS1530.8.1-2007 and BAL-40 Bush Fire Level
Compliance	Regulatory Compliance Mark (RCM) for Australia and New Zealand
Lock Type	530 Latch
Door Thickness	35-60mm
Backset	60-70mm backset (70mm latch sold separately – Y530-222SC)
Finish	Silver/Matt Black powdercoat with black nylon
RFID	2 x Contactless Key Tags
Power	4 x AA Alkaline batteries
Battery Life on lock	approximately 12 months
Low Battery Warning	20%
Volume Settings	Off, Low, High
Operating Temperature	-25-70°C
Humidity	0-95%
IP Rating	IP54
Use	Entry doors. Not for use on doors where the internal escutcheon is exposed to outside elements. Eg: Outdoor gate