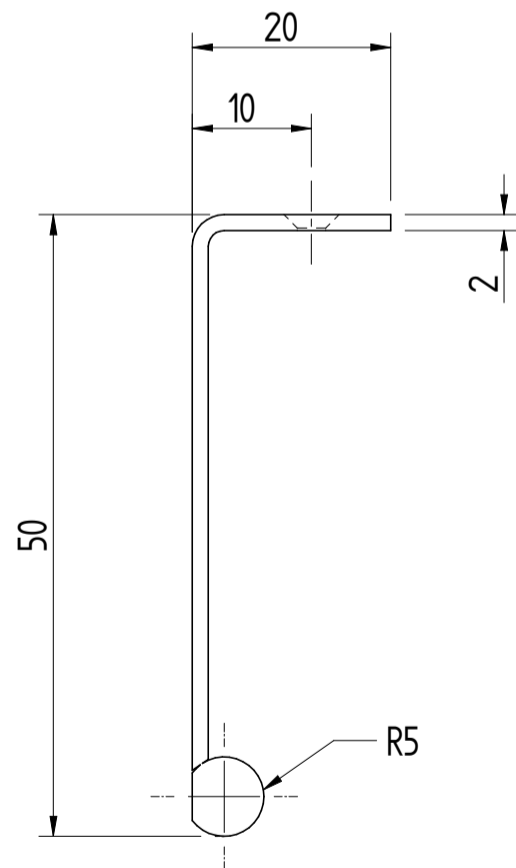
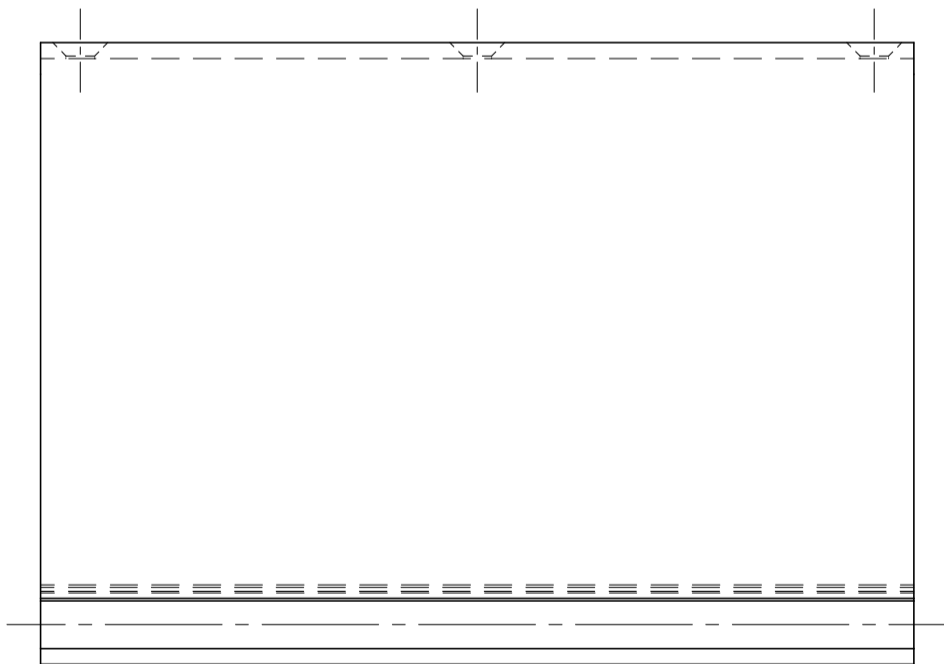
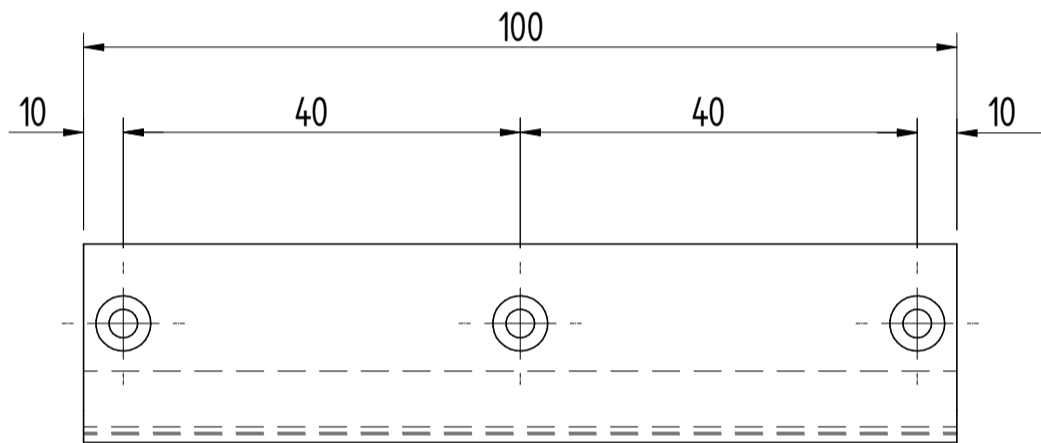


MATERIAL: STAINLESS STEEL



ALL DATA DISCLOSED HERIN IS THE PROPERTY OF BARBEN AND MAY NOT BE USED FOR MANUFACTURE, PROCUREMENT OR DISCLOSURE WITHOUT THE PERMISSION OF THE OWNERS.

DATE OF LAST EDIT
3/03/2022

SCALE	1:1	DRAWN	Rob	2/03/2022
CHECKED		APPROVED		

BARBIEN
Barben
Architectural
Hardware

212 NEW CLEVELAND ROAD
TINGALPA, QLD, 4173
PHONE: (07) 3890 8558
www.barben.com.au

CABINET HANDLE

DRAWING No.	A4
BAC-LP110	
SHEET 1 OF 1	
ISSUE	