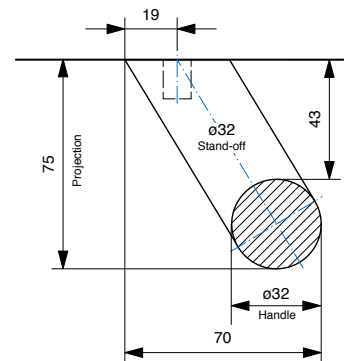
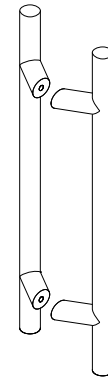




DDA Compliant - Timber Handle

CODE	SECTION	PROJECTION	LENGTH	CTC
BAH-206/A	Dia 32	75	300	100
BAH-206/B	Dia 32	75	400	200
BAH-206/C	Dia 32	75	500	300
BAH-206/D	Dia 32	75	600	400
BAH-206/E	Dia 32	75	700	500
BAH-206/F	Dia 32	75	800	600
BAH-206/G	Dia 32	75	900	700
BAH-206/H	Dia 32	75	1000	800
BAH-206/I	Dia 32	75	1100	900
BAH-206/J	Dia 32	75	1200	1000
BAH-206/K	Dia 32	75	1300	1100
BAH-206/L	Dia 32	75	1400	1200
BAH-206/M	Dia 32	75	1500	1300
BAH-206/N	Dia 32	75	1600	1400
BAH-206/O	Dia 32	75	1700	1500
BAH-206/P	Dia 32	75	1800	1600
BAH-206/Q	Dia 32	75	1900	1700
BAH-206/R	Dia 32	75	2000	1800
BAH-206/S	Dia 32	75	2100	1900
BAH-206/T	Dia 32	75	2200	2000
BAH-206/U	Dia 32	75	2300	2100
BAH-206/V	Dia 32	75	2400	2200

FINISHES	
Standard:	SSS/PSS
Options:	Powdercoat Dulux
Electroplate:	SBN ORB BN CO

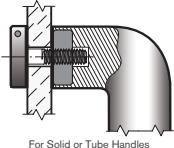


- Measurements in **bold** indicate handles that require intermediate fixing
- Special sizes available upon request
- Standard Timber: Tasmanian Oak. Other species available: American White Oak, Spotted Gum, Blackbutt, Hoop Pine, PNG Rosewood, Tallowwood, Jarrah

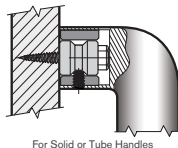
How to specify

	PRODUCT CODE	DIA	FINISH	FIXING	DOOR TYPE
Example:	BAH-206/A	32mm	SSS	B	GD

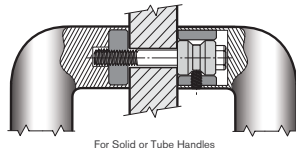
D = DISK FIX
Disk fixed - **Single**



C = CONCEALED FIX
Coach Bolt fixed - **Single**



B = BACK to BACK FIX
Back to Back fixed - **Pair**



PLEASE SPECIFY THE DOOR TYPE
GD: Glass
TM: Timber
AL: Aluminium