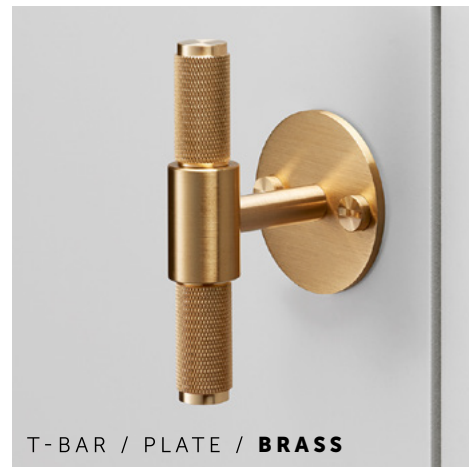


# BUSTER + PUNCH

## T-BAR

TECH SPEC



## T-BAR

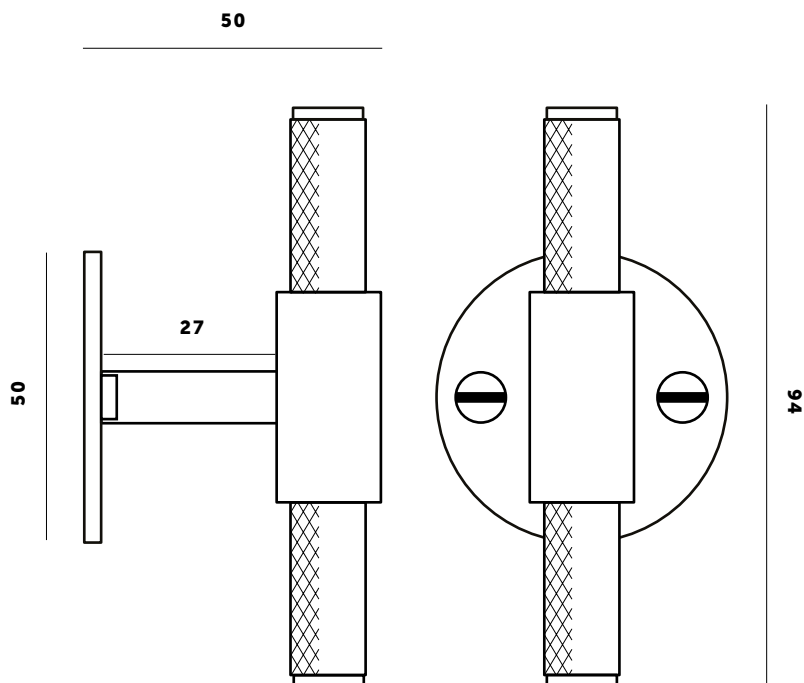
A T-Bar Handle made from solid metal. A solid base with diamond-cut knurled handle detailing, ensuring pleasure with every touch. Works great on cabinet doors, cupboards, kitchen units and just about anything that can open. Available in 4 metal finish combinations using brushed brass, steel, smoked bronze & satin black metal. Available complete with a circular plate and penny buttons or with a small disc.

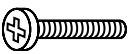

[busterandpunch.com](http://busterandpunch.com)  
[info@busterandpunch.com](mailto:info@busterandpunch.com)

# BUSTER + PUNCH

## T-BAR HANDLE / PLATE

TECH SPEC



FINISH	SKU	ALSO INCLUDED:
Steel	<b>UK-TB-HP-ST-A</b>	1 x M5 x 30 mm screw* 1 x Washer 2 x Counter Sunk Wood Screw 2 x Coin Caps  <b>1 pcs</b>  <b>1pcs</b>  <b>2pcs</b>  <b>2pcs</b>
Brass	<b>UK-TB-HP-BR-A</b>	
Smoked Bronze	<b>UK-TB-H-SM-A</b>	
Black	<b>UK-TB-HP-BL-A</b>	
		Handle is fitted from behind cabinet door and can not be front face fitted.

**CARE INSTRUCTIONS**

Wipe with damp cloth with no loose hairs, avoid using any chemicals. Please note all finishes are prone to aging.

\* Fits doors & draws of max 20 mm.