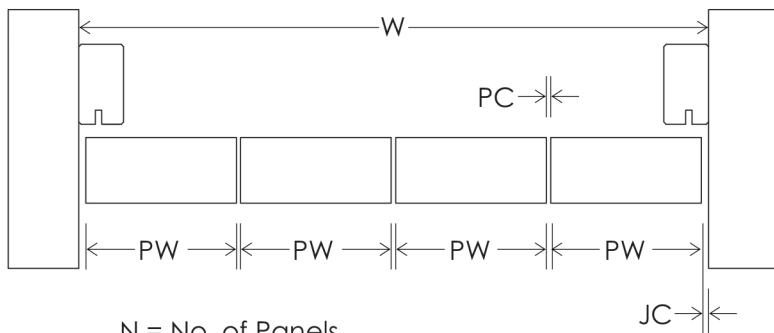


Panel Size Calculation

Brio Weatherfold 4s allows for equal size panels

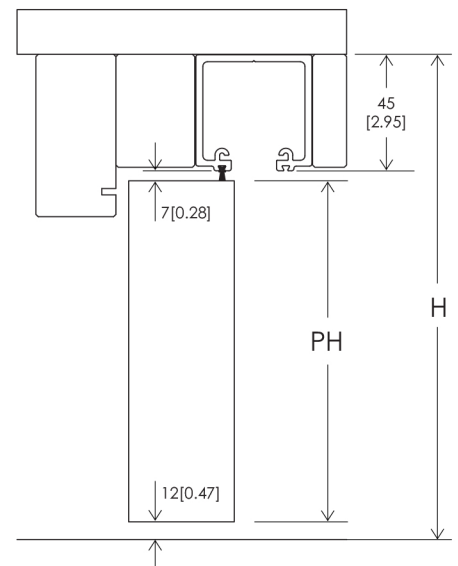


N = No. of Panels
 PW = Panel Width
 JC = Jamb Clearance = 6[0.24]
 PC = Panel Clearance = 4[0.16]

$$PW = \frac{W - [PC(N-1) + 2(JC)]}{N}$$

JC based on panels 600[23.62] wide and 40[1.57] thick.

PH = Panel Height

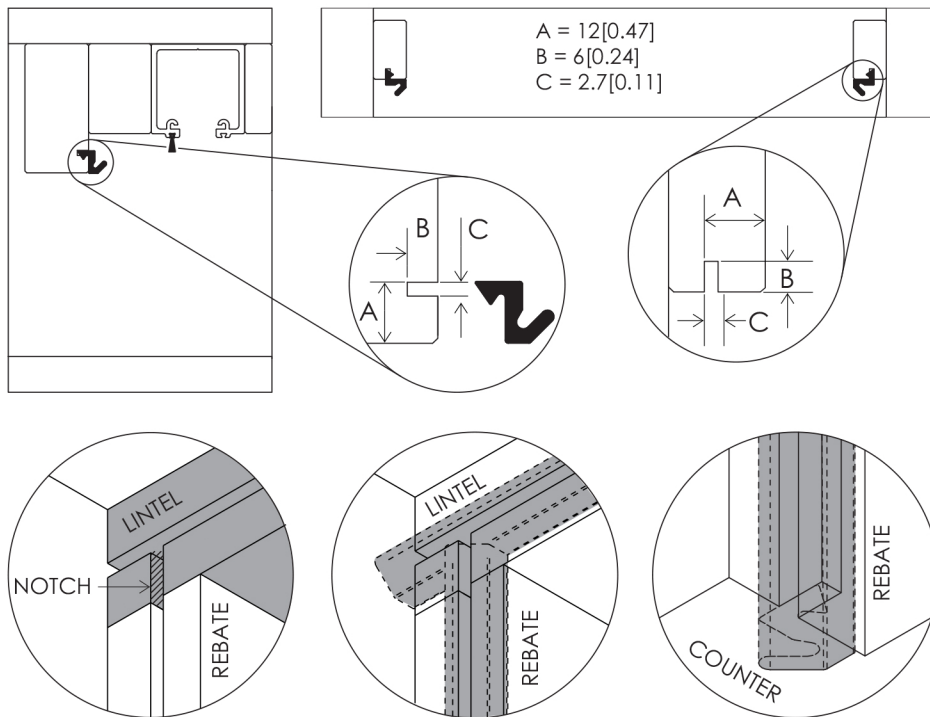


$$PH = H - 64[2.52]$$

Seal Preparation

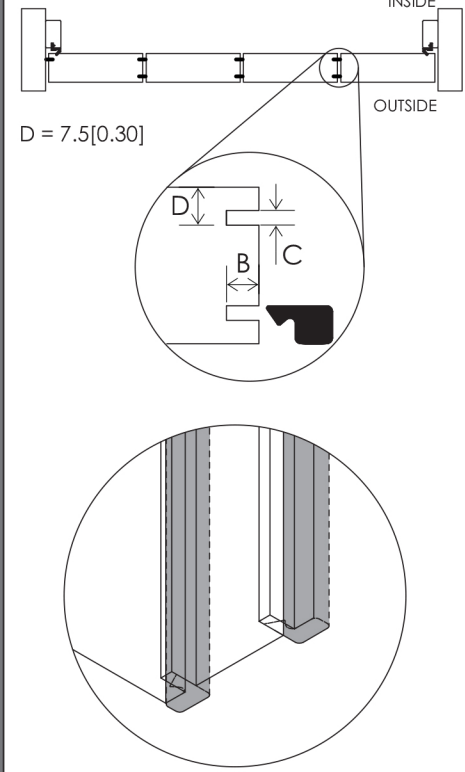
For exterior systems. Left, outward opening system shown

Frame - AQ21 perimeter seals to butt against each other in all corners



Lintel to be notched as shown.

Panel - AQ63



Meeting Door Selection

Panel thickness 35[1.38] minimum

2 Meeting square doors

