

Application

Suitable for residential and light commercial folding partitions, using equal sized panels.

Panels can fold to one or both sides of the opening.

To cover any width opening, any number of folding units can be used.

Panel Specification

Track System:	Pivofold 35
For Individual Panels:	
Max Panel Height	2400mm
Max Panel Weight	35kg
Max Panel Width	900mm
Min Panel Thickness	35mm or 38mm with Flush Bolts

Units of up to six panels can be pivoted to each side of the opening. Units with an odd number of panels provide an access panel.

A guide system across the floor must be used on units of three panels or more. Floating units consist of four or six panels.

Panels should be constructed to provide secure fitting for the pivot sets, hangers, hinges and guides.

Standard Packs

Pack No.	Hardware for	Content
PF35-2PKNC	2 Panel (No Channel)	Pivot, hanger, door stop, three hinges, all timber screws and instructions.
PF35-2PK	2 Panel Pack	Pivot, hanger, door stop, guide, three hinges, all timber screws and instructions.
PF35-4PK	4 Panel Pack	Pivot, two hangers, door stop, two guides, nine hinges, all timber screws and instructions.
PF35-6PK	6 Panel Pack	Pivot, three hangers, door stop, three guides, fifteen hinges, all timber screws and instructions.
PF35-APK	Add on 2 panel pack	Hanger, guide, six hinges, all timber screws and instructions.

For any folding units select one basic pack and sufficient PF35-APK add-on fitting packs and a suitable length of 100 track (see below) to cover width of opening.

Hardware Specification

Track:	120A
Material	Aluminium anodised
Standard Lengths	2000mm, 3000mm, 4000mm and 6000mm

Bracket (Face Fix):	
Bracket 316 Stainless Steel	1SS/250
Brackets located close together at the pivot end of the track with other brackets at 400mm centres.	

Hanger:	35ENP
Hanger fitted with nylon tyre wheels on ball race bearings. Vertical adjustment is simple and positive.	

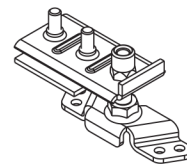
Pivot Set:	35EP
Top and bottom pivot sets	

Guide:	106SSMF
Stainless steel plate with precision bearing	

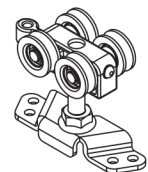
Hinge:	282SS
Stainless steel hinge for 19mm minimum panel thickness. 65mm tall, non-mortice	

Channels:	
Aluminium	96W
Finish	Clear Anodised
Standard Lengths	2000mm, 3000mm, 4000mm and 6000mm

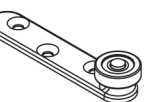
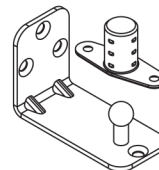
Accessories:	
Flush Pull	401
Flush bolt	456
Door stop	120DS



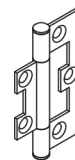
No. 35EP
PIVOT SET



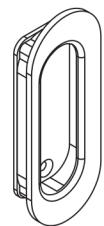
No. 35ENP
HANGER



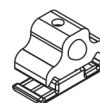
No. 106SSMF
GUIDE



No. 282SS
HINGE



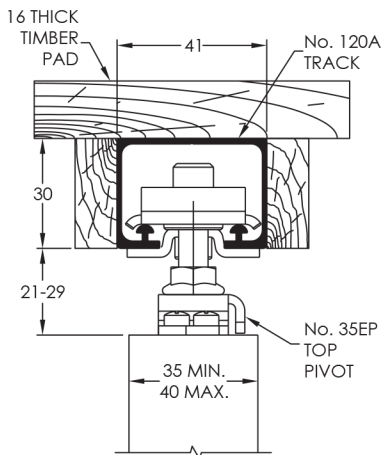
No. 401
FLUSH PULL



No. 120DS
DOOR STOP

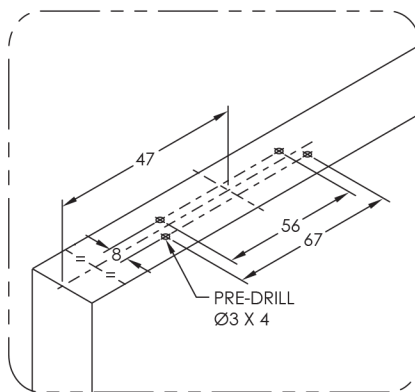


No. 96W
CHANNEL

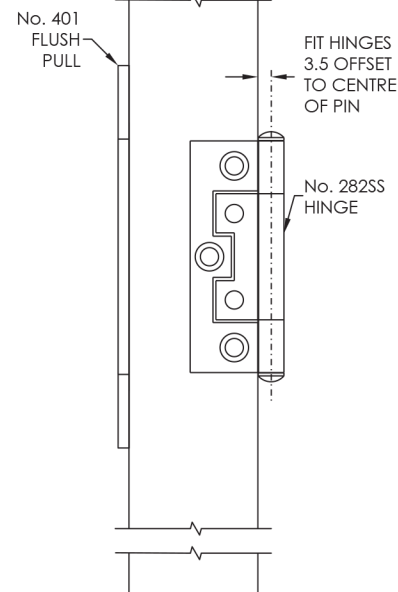
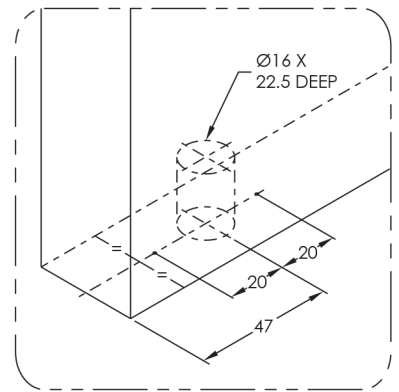


PANEL PREPARATION

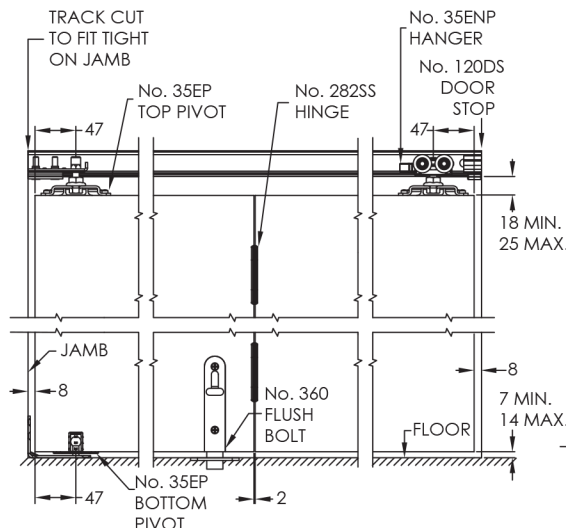
No. 35ENP HANGER AND No. 35EP TOP PIVOT



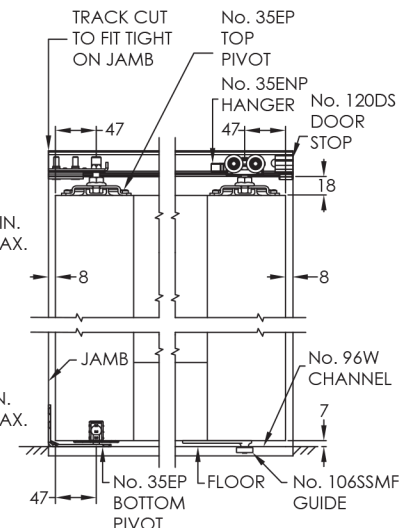
No. 35EP - BOTTOM PIVOT SOCKET



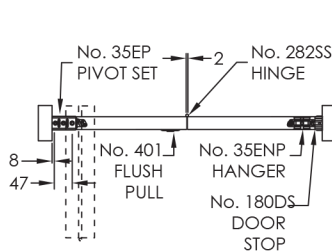
**2 OR 2+2 PANEL:
NO GUIDE AND CHANNEL**



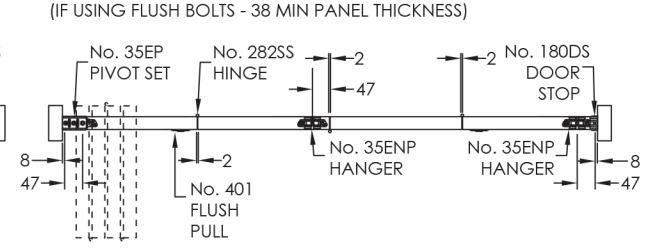
**4 - 6 PANEL
No. 106SSMF GUIDE WITH No. 96W CHANNEL
(IF USING FLUSH BOLTS - 38 MIN PANEL THICKNESS)**



**2 OR 2+2 PANEL:
NO GUIDE AND CHANNEL**



**4 PANEL
No. 106SSMF GUIDE WITH No. 96W CHANNEL
(IF USING FLUSH BOLTS - 38 MIN PANEL THICKNESS)**



**6 PANEL
No. 106SSMF GUIDE WITH No. 96W CHANNEL
(IF USING FLUSH BOLTS - 38 MIN PANEL THICKNESS)**

