

Application

Suitable for residential and light commercial folding shutters, with all panels of equal width. Panels can fold to one or both sides of the opening.

Pivot hardware enables folding exterior shutter to be designed using equal width panels with no cutting down of the panel adjacent to post.

To cover any width opening, any number of folding units can be used.

Panel Specification

Track System:	Shutterfold 25
Max Panel Height	2400mm
Max Panel Weight	25kg
Max Panel Width	900mm
Min Panel Thickness	35mm

Units of up to six panels can be pivoted to each side of the opening.

A guide system across the floor must be used on units of three panels or more. Floating units consist of four or six panels.

Shutters should be constructed to provide secure fitting for the pivot sets, hangers, hinges and guides.

Standard Packs

Pack No.	Hardware For	Contents
SF25-2PKNC	2 Panel (No Channel)	Pivot, hanger, door stop, three hinges, all timber screws and instructions.
SF25-2PK	2 Panel Pack	Pivot, hanger, door stop, guide, three hinges, all timber screws and instructions.
SF25-4PK	4 Panel Pack	Pivot, two hangers, door stop, two guides, nine hinges, all timber screws and instructions.
SF25-6PK	6 Panel Pack	Pivot, three hangers, door stop, three guides, fifteen hinges, all timber screws and instructions.
SF25-APK	2 Panel Add-on Pack	Hanger, guide, six hinges, all timber screws and instructions

Hardware Specification

Track:	120A
Material	Aluminium Anodised
Standard Lengths	2000mm, 3000mm, 4000mm and 6000mm

Bracket (Face Fix):	
Bracket 316 Stainless Steel	1SS/250

Brackets located close together at the pivot end of the track with other brackets at 400mm centres.

Hangers:	
End & Intermediate	21SS/EN

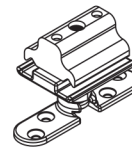
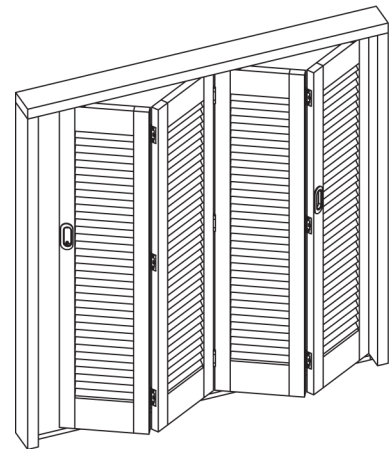
Hangers are fitted with nylon wheels on precision stainless steel ball race bearings. Vertical adjustment is simple and positive.

Guide:	106E/94
Stainless steel plate with precision bearing	

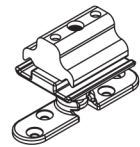
Hinge:	282SS
Stainless steel hinge for 19mm minimum panel thickness, 65mm tall, non-mortice	

Channels:	
Aluminium	94A
Polypropylene & Aluminium	94PPA
Finish	Mill or clear anodised
Brass	94B
Standard Lengths	2000mm, 3000mm, 4000mm and 6000mm

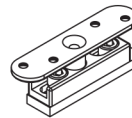
Accessories:	
Flush Bolts	456
Flush Pulls	401
Door Stop	120DS



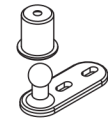
No. 21EP
PIVOT



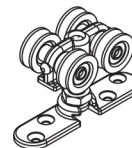
No. 21EPNC
PIVOT



No. 21SS/EN
HANGER



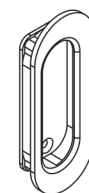
No. 106E/94
GUIDE



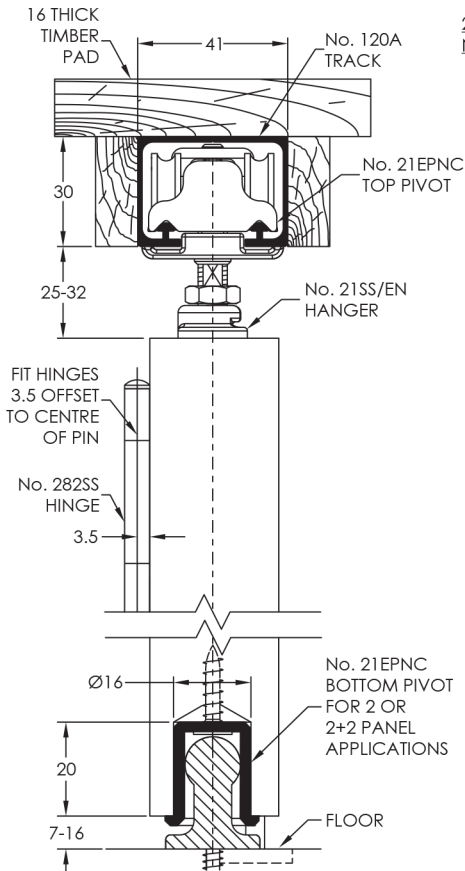
No. 282SS
HINGE



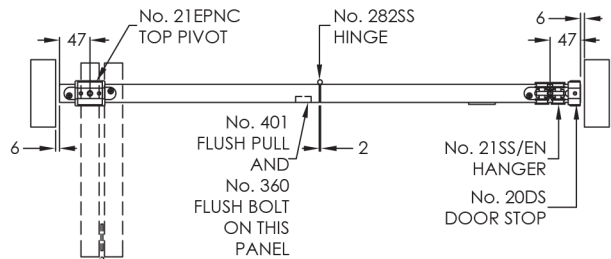
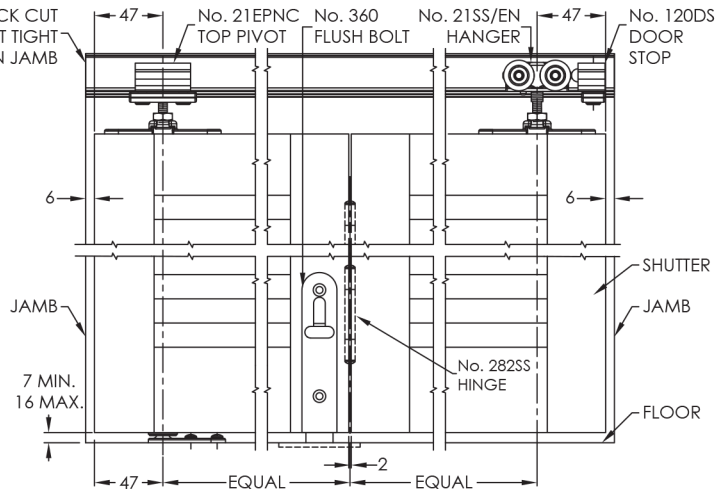
No. 120DS
DOOR STOP



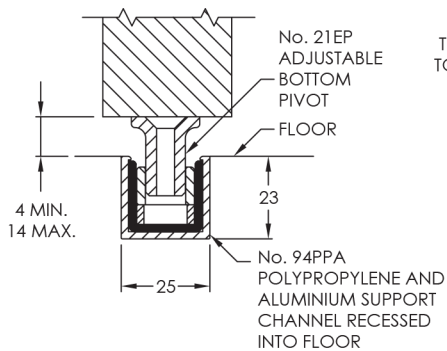
No. 401
FLUSH PULL



**2 OR 2+2 PANEL:
NO GUIDE AND CHANNEL**



**No. 21EP
ADJUSTABLE BOTTOM PIVOT**



**4 OR MORE PANELS:
GUIDE AND BOTTOM CHANNEL**

