



6000 Series

Plate Door Furniture

316 Grade
Stainless Steel

dormakaba 

6400 Series

Narrow square end plate furniture

Features

- A true rectangular narrow plate displaying clean modern lines with bevelled edges
- Manufactured using hygienic and corrosion resistant 316 Solid Stainless Steel
- A characteristic feature of Stainless Steel door furniture is the naturally gleaming finish
- Concealed fixed external plates with visible fixed internal plates connected with bolt through fixings
- Extensive range of optional plate functions
- Designed with bolt through fixing for use with Australian narrow stile mortice locks and latches.
- Non handed plate with oscillating lever action for quick reversal of handing.
- Heavy duty spring mechanism manufactured using the highest grade materials
- Nylon shim preventing metal to metal wear and providing a smoother friction free movement
- All turn snibs and privacy snibs on plate are supplied with a heavy duty star spindle for positive turn actuation and furthermore provides for true installation alignment
- Certain Coastal Series lever designs are not compatible with all narrow backset mortice locks. Check your requirements against the suitability chart in this brochure
- Standard screws in 5/32 thread to suit door thickness of 32mm-45mm thick doors

Fire Rating

The 6400 series plate furniture is fire rated and complies with AS1905.1-2005 Part 1

Disabled Compliance

6407 and 6417 feature a user friendly finger grip of non entrapment design. Designed with the assistance of access consultants.

Functions

See functions chart for all available functions.

Finish

Satin Stainless Steel SSS

Polished Stainless Steel PSS

Note: Other finishes available on request

Spare parts

6640/00 Standard screws to suit 32mm-45mm thick doors per 2

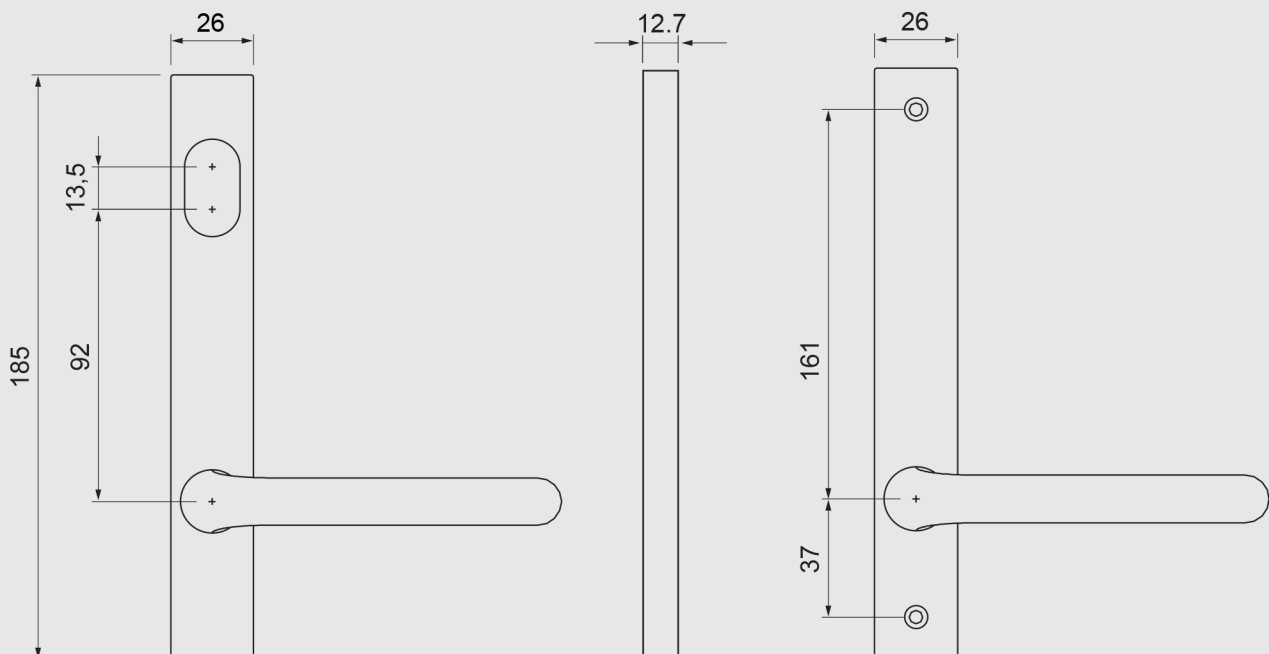
6640/01 Extended screws to suit 50mm-90mm thick doors per 2

5350/00 split spindle pack (2 x split spindles & 2 x springs)

5350/02 75mm star spindle

5350/03 extended split spindle to suit 100mm doors up to 100mm per 2

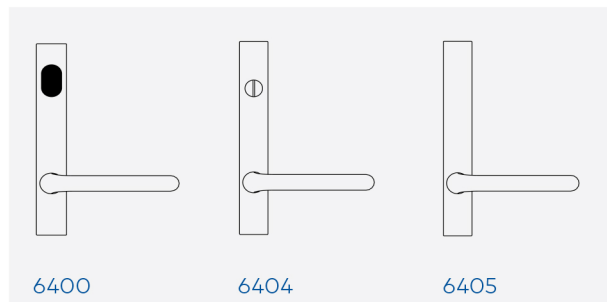
Dimensions



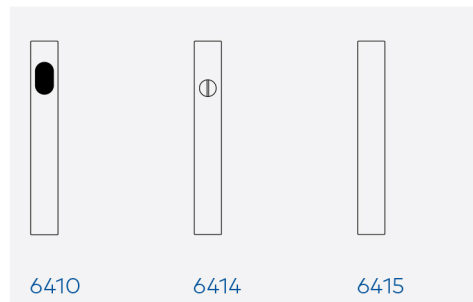
6400 Series

Narrow square end plate furniture range

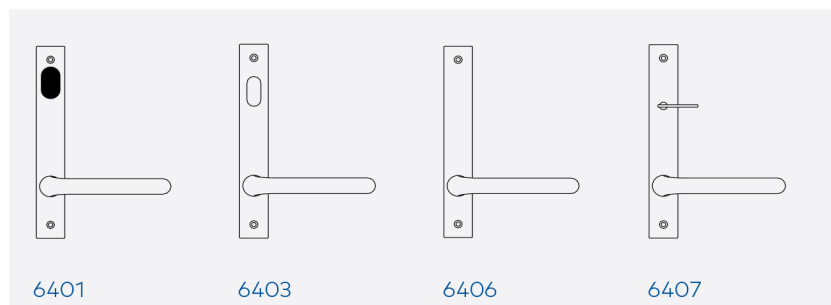
External concealed fix plates with lever



External concealed fix plain plates



Internal visible fix plates with lever

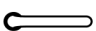
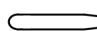




Internal visible fix plain plates



Lever options & backset suitability – based on frame 12mm stop

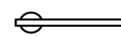
● Yes – No

Lever Style	23	25.4	30	38	Lever Style	23	25.4	30	38
30 	●	●	●	●	37 	–	–	●	●
31 	●	●	●	●	39 	–	–	●	●

Note: The following levers are AS1428.1 2009 compliant - 30, 37 & 39



Function



Oval Cylinder Hole

Standard Turn Snib

Privacy Button

Fixed Lever

LED

Disabled Turn Snib