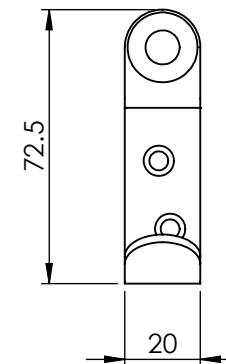
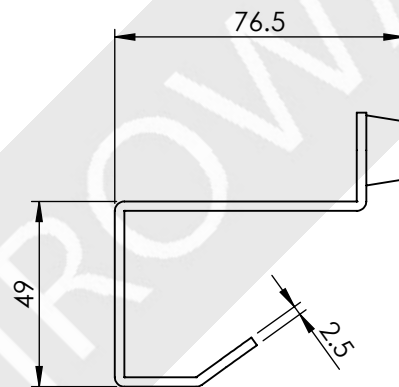
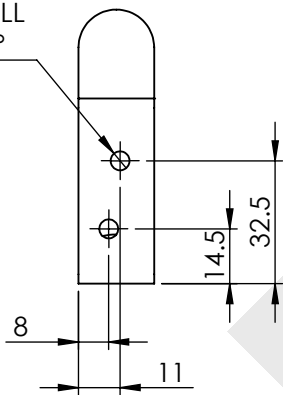



2 x Ø 5 THRU ALL
 ✓ Ø 8 X 90°



ITEM NO.	PART NUMBER	DESCRIPTION	QTY.	DRAWN	B DOOLAN	5/09/2018	CAT NO:	171	REV: B
				CHK'D	E MAHON	5/09/2018			
1	SCS-4-25	SCREW-C/SUNK-4MMx25MM	2	MATERIAL	304 STAINLESS STEEL			DESCRIPTION:	RUBBER TIPPED HAT & COAT HOOK
				FINISH	SATIN				
2	171-0	HOOK	1	 www.emro.com.au T: 07 5491 3566 <small>This drawing has been made with due care and attention however Emro do not accept any responsibility for variations. This drawing and information contained is the property of Emro and cannot be used without their consent.</small>					
3	WP-6-30	WALL PLUG-6MMX30MM	2						