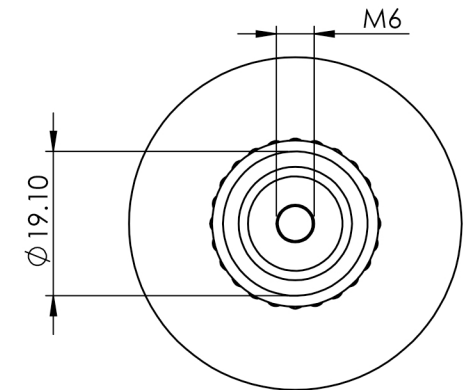
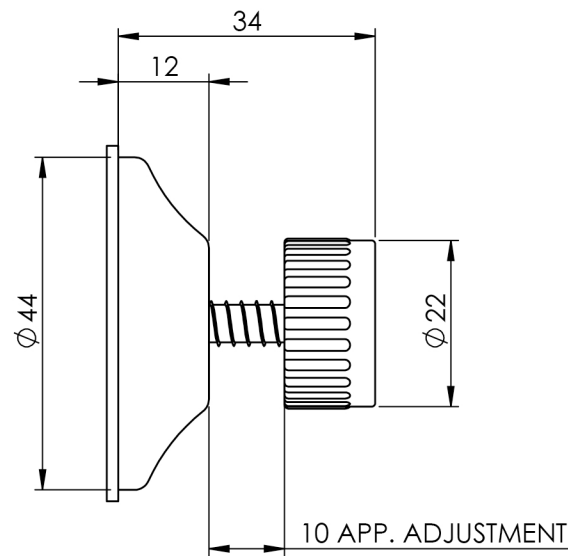


DETAIL ITEM ④



ITEM NO.	PART NUMBER	DESCRIPTION	QTY.	DRAWN	B DOOLAN	14/07/2017	CAT NO:	412	REV: A
1	412-1	ROD SOCKET END-THREADED	1	CHK'D	E MAHON	14/07/2017			
2	412-1	ROD SOCKET END	1	MATERIAL	ZINC ALLOY				
3	412-2	ADJUSTER	1	FINISH	CHROME				
4	412-3	RUBBER CUSHION	2	WEIGHT					
5	MSCS-0.25-1	MACHINE SCREW-C/SUNK PHIL-1/4"x1"	1						