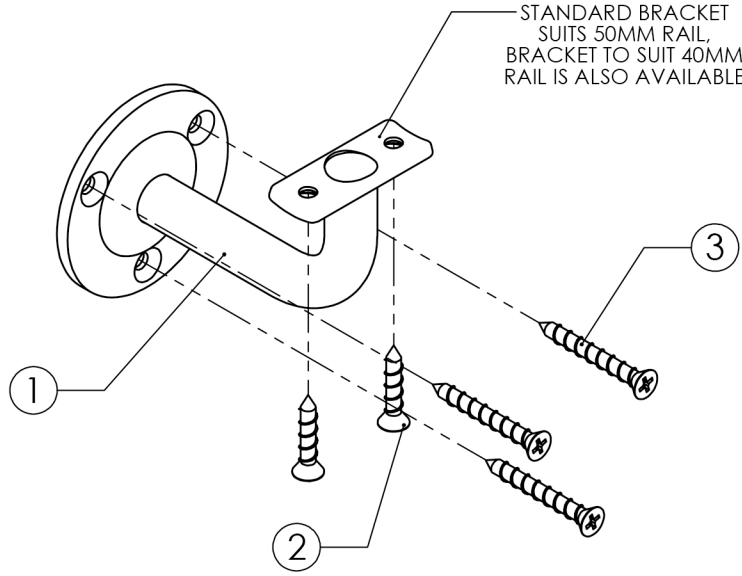
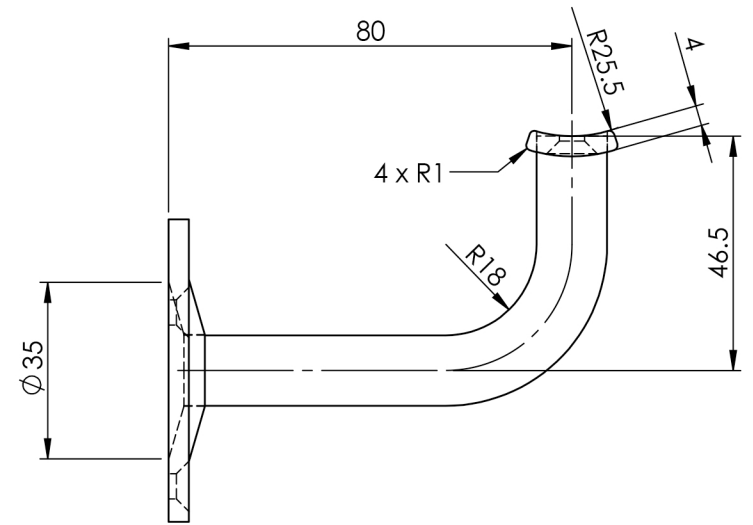
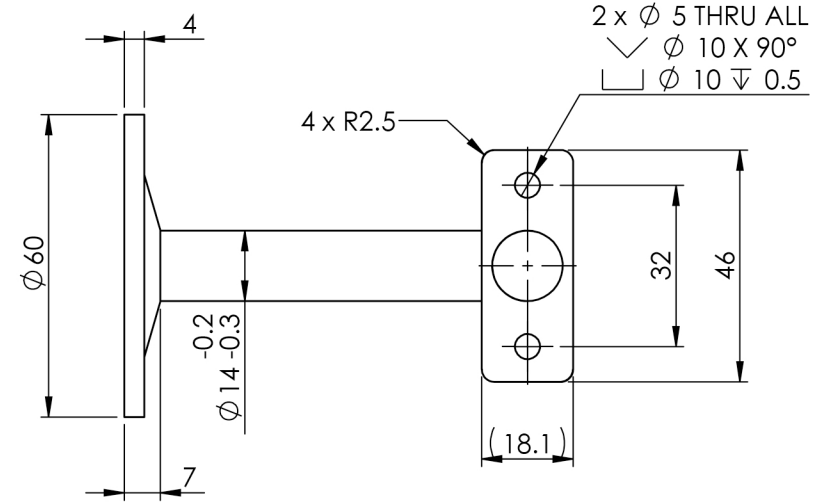
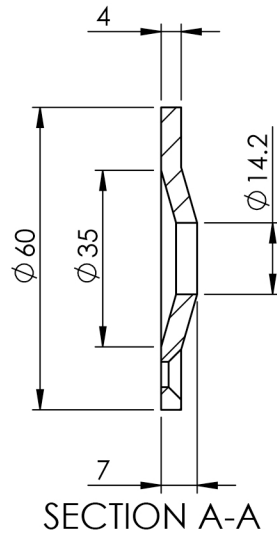
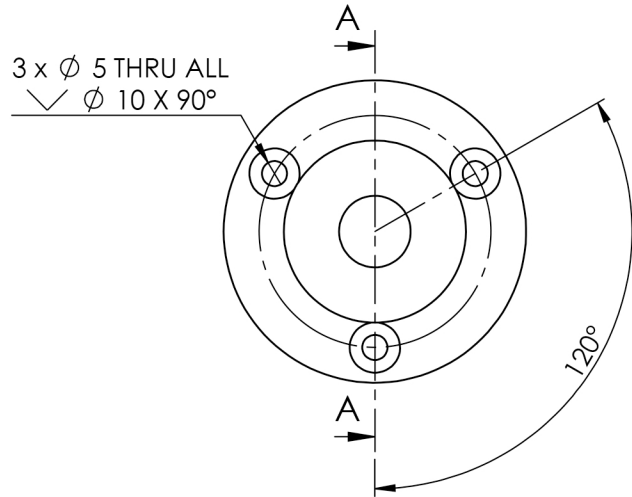


STANDARD BRACKET  
SUITS 50MM RAIL,  
BRACKET TO SUIT 40MM  
RAIL IS ALSO AVAILABLE



3 x  $\phi$  5 THRU ALL  
 $\surd$   $\phi$  10 X 90°



ITEM NO.	PART NUMBER	DESCRIPTION	QTY.	DRAWN	B DOOLAN	3/11/2016	CAT NO:	REV: B
				CHK'D	G SIMPSON	3/11/2016		
1	SS444CT	BRACKET	1	MATERIAL	316 STAINLESS STEEL		SS444CT	
2	SCS-5-25	SCREW-C/SUNK-5MMX25MM	2	FINISH	POLISHED			
3	SCS-5-40	SCREW-C/SUNK-5MMX40MM	3	WEIGHT				
				DESCRIPTION:		EXPOSED EXTENDED STAIR RAIL BRACKET-COMPLIES WITH AUSTRALIAN STANDARD AS1428.1-2009		