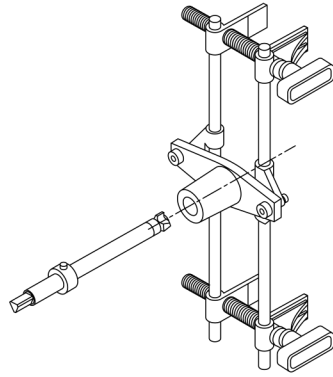


DBB MORTICE JIG
Screw-On Version



- > Features:
 - Self centring mortice jig with precision cutters complete with plastic carry case
 - Screw-on design carbide tipped mortice wood cutters
 - Cuts lock forend as well as lock body
 - Self-centring action
 - Achieves an accurate depth of cut to hardwood and softwood doors
 - Use with a drill with 2000 - 3000 rpm with hammer action off and a 12.7 mm chuck
- > Max. mortice Depth and shaft lengths:
 - Standard shaft: max. mortice depth 180 mm without depth stop, shaft length 220 mm
 - Long shaft: max mortice depth 180 mm, shaft length 298 mm
- > Max. door thickness:
 - (standard housing) 55 mm
 - (offset housing kit) 80 mm
- > Max. vertical travel:
 - (average 45 mm thick door) 240 mm
 - Door and frame with offset morticer max. 95 mm
- > Material:
 - Steel jig rods
 - Aluminium housing and clamps

MORTICE JIG CARRY CASE



	Cat. No.
	001.67.700

Packing: 1 set



Supplied with:

- > 1 Mortice jig
- > 1 Standard screw-on shaft, 220 mm length (for locks up to 100 mm deep)
- > 1 Ø 19 mm carbide tipped cutter
- > 1 Ø 22.2 mm carbide tipped cutter
- > 1 Ø 25.4 mm carbide tipped cutter
- > Instruction booklet
- > 1 Allen key

OFFSET HOUSING KIT
With Side Slide Adjustment



Material	Cat. No.
Aluminium	001.67.798

Packing: 1 piece

ALUMINIUM CUTTER



Aluminium Doors

Specially designed aluminium cutters in four sizes will shave out a lock slot in aluminium, but due to hot aluminium shavings safety clothing must be worn.



Material	Diameter (mm)	Cat. No.
Hardened steel	16.2	001.67.870
	19.0	001.67.871
	25.4	001.67.872
	31.8	001.67.873

Packing: 1 piece

TIMBER CUTTER

- > Features: New screw-on, anti-lock design

Material	Diameter (mm)	Small bore (mm)	Standard bore (mm)
Hardened steel	13.2	001.67.840	-
	14.6	001.67.841	-
Carbide tipped	16.0	-	001.67.842
	17.5	-	001.67.843
	19.0*	-	001.67.844
	20.0	-	001.67.845
	20.6	-	001.67.846
	22.2*	-	001.67.847
	23.0	-	001.67.848
	23.8	-	001.67.849
	25.4*	-	001.67.850
	27.0	-	001.67.851
	28.6	-	001.67.852
31.6	-	001.67.853	

Packing: 1 piece (* included in carry case set)