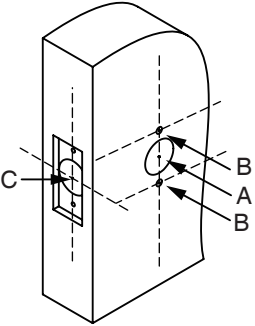
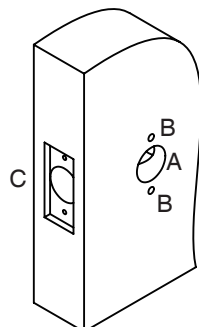
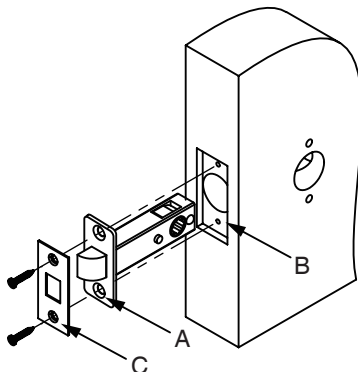
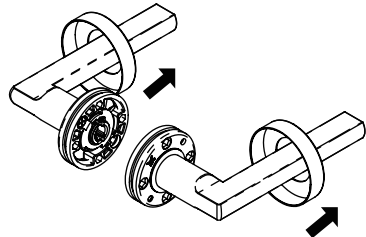
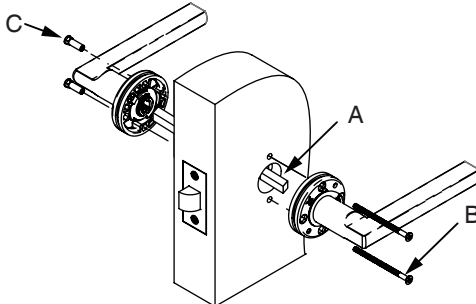
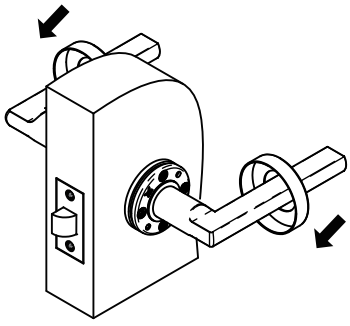
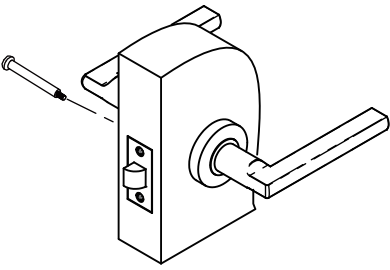
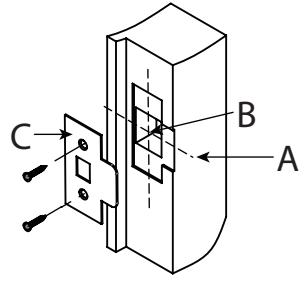




LEVERSET INSTALLATION INSTRUCTIONS

<p>1. Door Preparation</p>  <p>Fold installation template at preferred height. A Mark centre for either passage or privacy set B Mark holes for through-bolt fixing where required C Mark centre of door on horizontal centreline</p>	<p>2. Drill Holes</p>  <p>A Drill a $\Phi 35\text{mm}$ hole through the door for privacy sets and a $\Phi 25\text{mm}$ hole for passage set. B Drill $2 \times \Phi 5\text{mm}$ holes through the door where through-bolt fixing is required C Drill a $\Phi 25\text{mm}$ hole about 85mm deep into the front edge of the door.</p>	<p>3. Install Latch</p>  <p>A Insert latch into hole. Trace around face plate. B Chisel out wood until faceplate fits flush with door edge C Fasten latch to door so bevelled edge of latchbolt faces jamb</p>
<p>4. Remove Rose Caps</p> 	<p>5. Install Furniture</p>  <p>A Insert spindle into furniture, as illustrated B Attach furniture to door by through-bolt fixing. Cut through-bolt screws to appropriate length so it is flush against the rose when tightened. Fit self-tapping wood screws to strengthen the rose where necessary. C Use captive nuts from the other side of door to align with through-bolts.</p>	

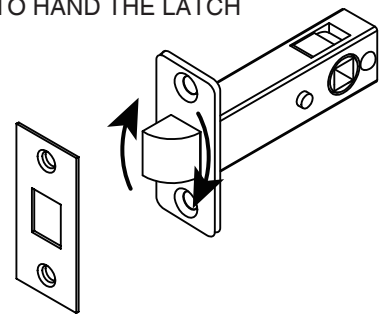


<p>6. Attach Rose Caps</p> 	<p>7. Attach and screw-in Privacy pin for Privacy sets</p> 	<p>8. Prepare Jamb and Install Strike</p>  <p>A Mark vertical line and height centreline on jamb, exactly opposite centre of latch B Chisel out 32x22mm square holes x15 deep. C Use strike plate as pattern for cutout, Chisel out and install strike</p>
---	---	--

Privacy/Passage Latchbolt Handing Instructions

Privacy/Passage Latchbolts are supplied handed to accommodate inward opening doors. If you have an outward opening door, use the following instructions to hand the latchbolt correctly.

TO HAND THE LATCH



Remove forend plate and rotate the latch head. Replace forend plate.

Installation Template 1:1

