

**halliday
baillie**

HB 680

PUSH BUTTON EDGE PULL 6.69"

The HB 680 Push Button Activated Edge Pull for pocket doors has been designed to match the 6.69" height of the HB 660 and HB 660/35 Flush Pulls. Its slim faceplate, smooth push-button release and narrow 1.92" body depth make it suitable for sliding wood passage doors, including wide stile timber and aluminum pocket doors.

Shown here with the HB 660 Flush Pull. A minimum door thickness of 1½" is required. For 1.38" thick doors, please specify the HB 660/35.

Each Edge Pull ships with all fixings. Flush Pulls sold separately.

Material : Diecast Zinc and Brass

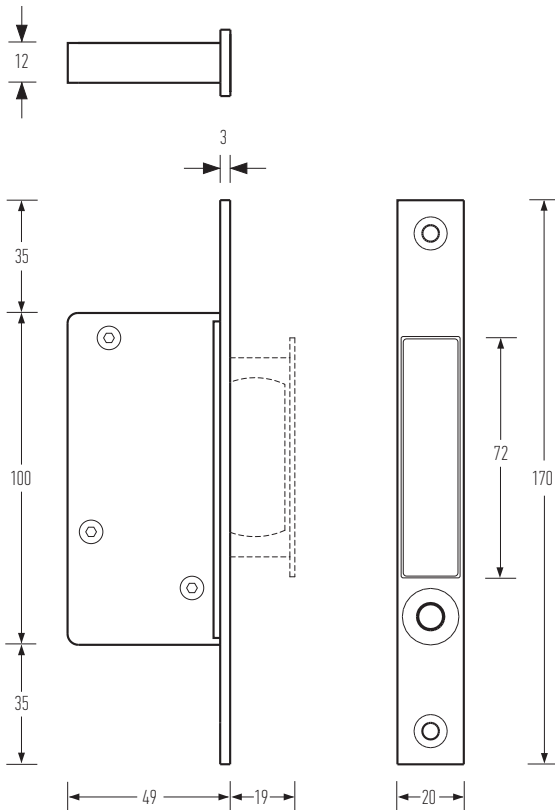
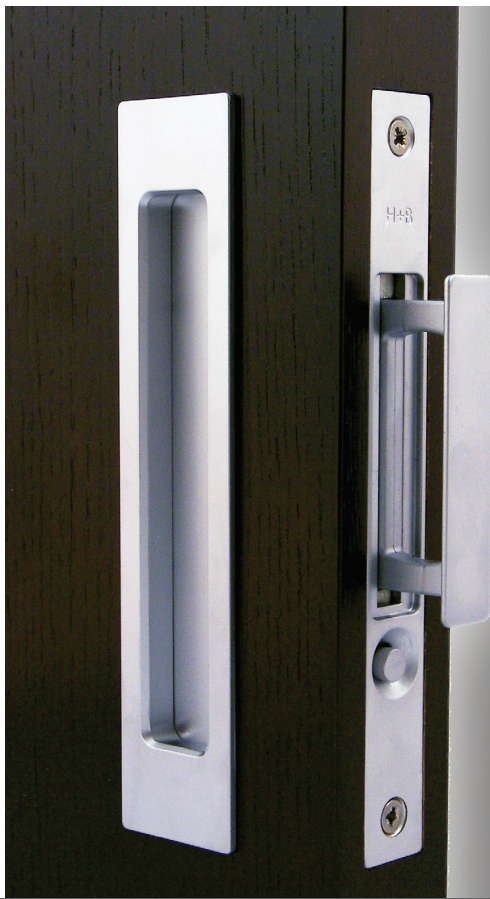
Dimensions (overall) : 6.69" x 1.93" x 0.79"

Dimensions (case to be morticed) : 3.94" x 1.92" x 0.47"

Handle Projection : 0.75"

Suitable for timber or aluminum doors.

Available in all standard Halliday + Baillie finishes. See finishes sheet for further details.



Designed and manufactured in New Zealand. For more information on this product and others please visit www.hallidaybaillie.com. For dealers in North America, contact Bridgeport Worldwide +1-800-362-1484 www.BridgeportWorldwide.com/hallidaybaillie. All information subject to change.