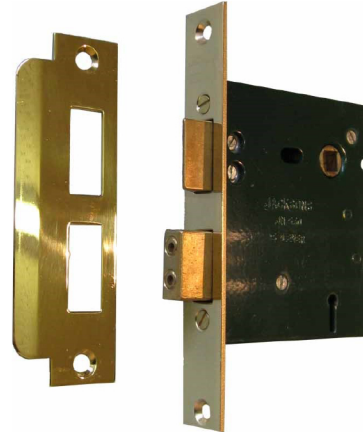


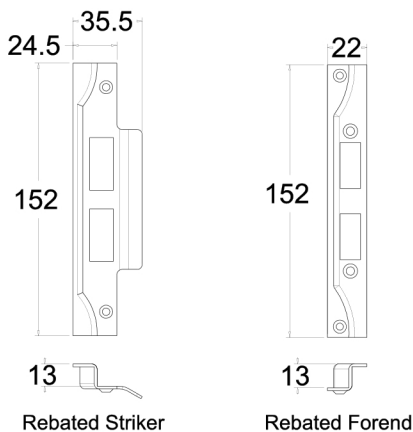
The JM560, JM546 and JM25 all provide a high level of protection from both physical attack and manipulation. These locks should be specified where security is required and are particularly useful as replacements for older style single and two lever locks.



JM560R Rebated

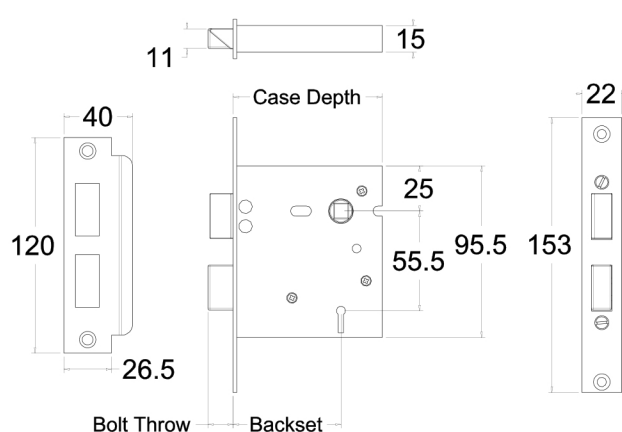


JM560



Rebated Striker

Rebated Forend



Bolt Throw

Backset

	Case Depth	Bolt Throw	Backset
JM560*	83	14	60
JM546*	69	14	46
JM25	55	10	30

CODES

JM560 2 keys

JM560R Rebated 2 keys

JM546 2 keys

JM546R Rebated 2 keys

JM25 2 keys

JM25R Rebated 2 keys

JM560 BODY JM546 BODY JM25 BODY Body Only 2 keys

KITSJMC60/560 Plain Forend & Striker sets - JM560, 546, 25

KITSJMC60R/560R Rebated Forend & Striker sets - JM560, 546, 25

LEV Mortice Levers (Specify 1, 2, 3, 4, 5 or 6)

LEVPK Lever Packs

KEX Extra Mortice Key during Manufacturing

SCRPKJMC60/560 Screw packs

KA Keying Alike No Charge for 5 Lever Mortice Locks

Key cut to code POA

DS *These locks can be Double Sprung 'DS' on request.

MATERIALS

Case: Galvanneal

Pins: Brass

Bolts: Brass

Kits: Brass or Stainless Steel

Levers: 5 Brass Open Ended Pick Resisting

Differs: Approximately 320

Key Blank: No. 747

Please indicate which type of finish when ordering. Refer page 3.