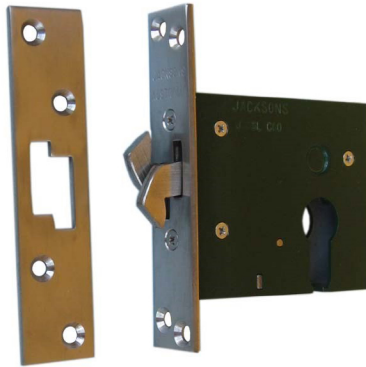


Mortice Lock Sliding Claw without cylinder

The JMHSL C60, C46 are Sliding Claw type Cylinder locks suitable for sliding doors. Cylinders are not included. The claws are flush when unlocked. They feature very strong 5mm thick Stainless Steel claws. The claws throw vertically up and down to prevent track jumping if under attack. Small lock body size for minimum wood removal.



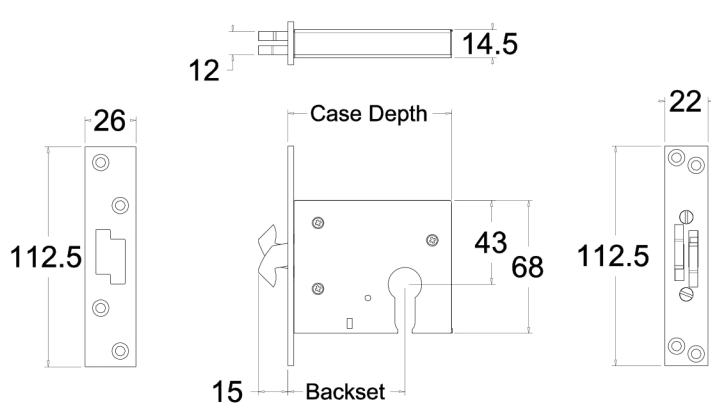
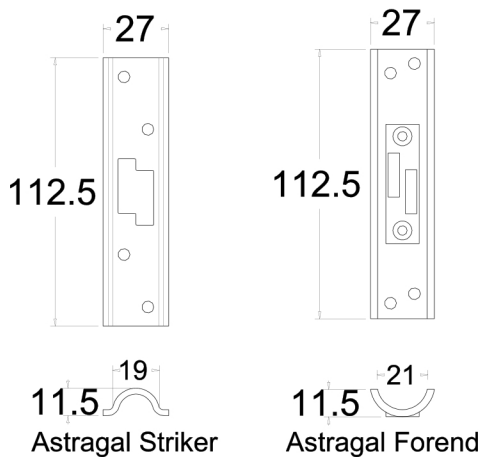
JMHSL C60



JMHSL C60A Astragal



JMHSL PV Follower
The Follower can be purchased separately or as a complete lock see Privacy section for more details



	Case Depth	Backset
JMHSL C60	84	60
JMHSL C46	71	46

MATERIALS

Case: Galvanneal

Pins: Brass

Kits: Brass or Stainless Steel

Bolt: Stainless Steel

CODES

JMHSL C60 Sliding

JMHSL C60A Sliding Astragal

JMHSL C46 Sliding

JMHSL C46A Sliding Astragal

JMHSL C60 BODY **JMHSL C46 BODY** Cylinder Body Only

KITSJMHSL C60/560 Forend & Striker Sets to suit JMHS LC46, 60

KITSJMHSL C60A/560A Astragal Forend & Striker Sets to suit JMHS LC46A, 60A

JMHSL PV/FOLLOWER Privacy Follower (specify broach size)

Please indicate which type of finish when ordering. Refer page 3.

Please indicate Broach size when ordering.

Broaches for Privacy Follower:

4.8mm 5.1mm 6.5mm 8.0mm 6mm x 2mm Flat Tail