

# IS7095si



The IS7095si heavy duty, adjustable perimeter seal is designed for high performance acoustic applications. This seal can be fitted to the head and jambs of door frame perimeters in lieu of door stops, where frames are non fire-rated.

This seal can achieve up to 12mm sealing adjustment once the seal has been fitted, for maximum sound control. Fixing screws are concealed behind the aesthetic tamper-proof aluminium cover plate.

The IS7095si has been successfully tested on proprietary fire door assemblies (mounted on a 25mm frame stop).

## Gap size

- Min. 0mm / max. 12mm

## Door set standard lengths

- Single: 1 x 1000mm, 2 x 2100mm
- Long Single: 1 x 1000mm, 2 x 2750mm
- Double: 3 x 2100mm
- Long Double: 1 x 2100mm, 2 x 2750mm

## Standard lengths

- 1000mm
- 2250mm
- Also available in: 250mm increments from 1000mm to 5000mm


## Standard colours

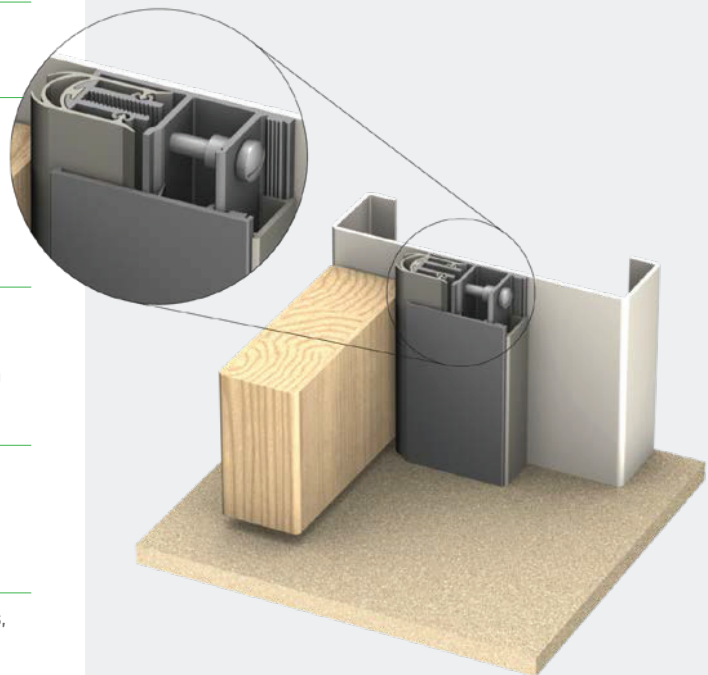
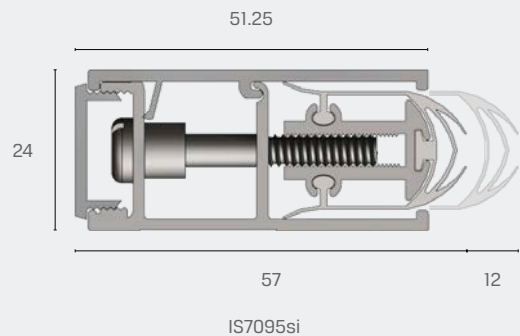
- Silver anodised aluminium with grey silicone gasket and grey PVC rigid cover strip (Black silicone gasket and cover strip also available upon request)

## Fixing

- When fixing the IS7095si seal to rebated frames of single doors, specify a long back set door latch

## Approval/s

- Fire tested to AS1530 Part 4 in accordance with AS1905 Part 1
-  Certifications GVI.R26629, GVWZ.R26629, GVWZ7.R26629
- Acoustically tested in accordance with AS1191, ISO140.3 & ISO10140-2
- Durability tests demonstrating over 100,000 open & close cycles



Kilargo IS7095si | Last edit 10/04/2018

15 Wentworth Pl, Banyo QLD 4014, Australia  
P +61 7 3635 5000 F +61 7 3861 9266 E sales@kilargo.com.au W kilargo.com.au