

IS7310si, IS7320si, (IS7300si), IS7330si



The IS7310si and IS7320si seals are adjustable, aluminium meeting stile and door edge seals for frameless glass sliding doors.

The IS7330si seal is also adjustable to suit hinged or pivoted frameless glass doors.

All seals are designed to suit 12-15mm frameless glass doors, providing ambient and medium temperature smoke containment, along with draught and dust protection. The high performance silicone gaskets also protect glass doors from colliding during closure. These seals have an easy self-adhesive application and can be used independently for various door applications.

Gap size

- Dependent upon application

Standard lengths

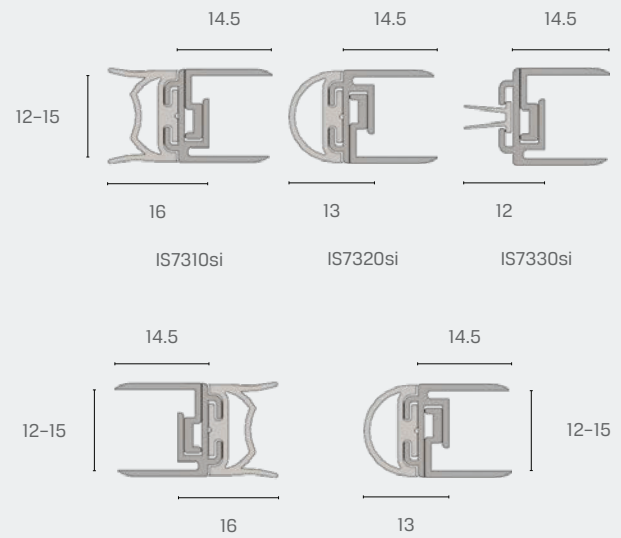
- 2250mm
- Also available in: 250mm increments from 1000mm to 5000mm

Standard colours

- Silver anodised aluminium with grey silicone gasket (Black silicone gasket also available upon request)

Approval/s

- Conforms with BCA Specification C3.4 smoke sealing requirements



IS7300si—a combination set of IS7310si and IS7320si.

