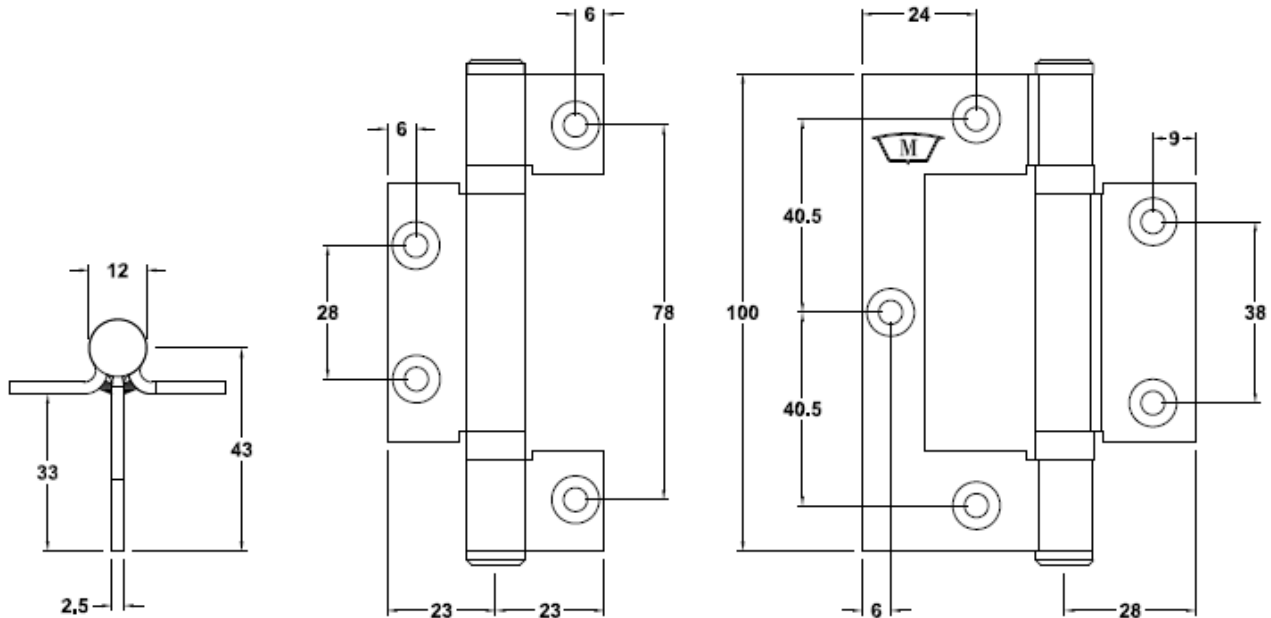


Technical Data Sheet

S263 Stainless Steel Interfold Hinge 100mm



SPECIFICATION

- **Hinge Type:** Interfold Hinge
- **Material:** Stainless Steel 304 grade
- **Hinge Pin:** 6.9mm Diameter Stainless Steel 304 grade
- **Bearing:** Stainless Steel – Cage & Bearing
- **Knuckle:** Round
- **Endcaps:** Stainless Steel 304 grade Pressed Interference fit
- **Face Fix:** Wrap Around Face Fixing to Door & Frame
- **Hinge Positioning Locator:** Yes
- **Fixing Holes:** N/A
- **Fire Rated:** N/A

FINISH

- S263SSS – Satin Stainless Steel
- S263BLK – Black
- S263PVD – PVD

INSTALLATION GUIDE

- Minimum Door Thickness 35mm
- Suitable for Aluminium and some Timber doors in Aluminium frames
- As a guide doors:
 - 2040 high x 820 wide – 3 hinges
- Recommended that the minimum of 3 hinges be used with the top hinge located as high as possible

FIXING

- Fastening screws supplied
- Aluminium fixings - 10G x 12mm, 304SS undercut countersunk self-tapping Phillips drive screw
- **Pop Rivets are NOT RECOMMENDED**