

HOOKS



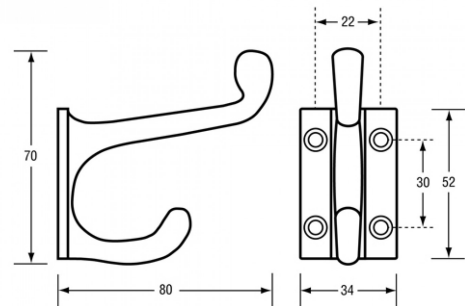
204_HOOK_SCP

Double Coat Hook in Satin Chrome Plate

Specification

Material	Diecast Zinc, Alloy ZP3
Finish	Satin Chrome Plate
Specify	204_HOOK_SCP
Mounting	Visible Screw Fix
Dimensions	70x34x80mm
Note	<p>* It is recommended that any individual unit is installed whereby it clears any other fixtures by at least 150mm and not carry loads any greater than 8kg.</p> <p>* This unit is accessible compliant when installed in accordance with AS1428.1. guidelines.</p>

For installation instructions download the Metlam Australia App



Downloads & Resources

Care & Maintenance

Installation instructions

Associated Videos

Stainless Steel Cleaning & Maintenance

Accessibility and safety features of Metlam Australia Toilet Partition Hardware and how to use them

The photographs and line drawings of the products presented above are representational only. Metlam Australia Pty Ltd reserves the right to, and from time to time, make changes and improvements in design and dimensions.

