

TOILET ROLL DISPENSERS

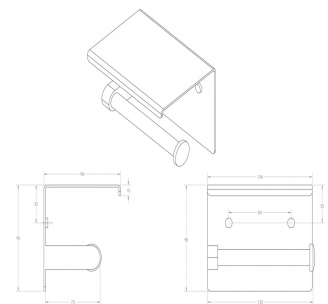
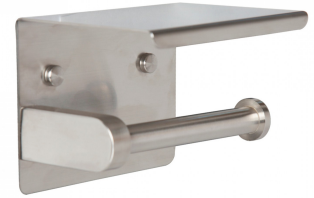


ML268_TRH_SS

Single Toilet Roll Holder with Shelf Top in Satin Stainless Steel

Specification

Material	#304 Stainless Steel 1.5mm Thick Shelf
Finish/ Specify	ML268_TRH_SS Satin Stainless Steel ML268_TRH_PSS Polished Stainless Steel
Mounting	Surface Mount Visible Fix
Capacity	Holds one standard toilet roll
Features	Multifunctional unit with shelf top. Upper can hold mobile phone or bag whilst lower holder is for toilet paper roll. Seamless welds and rolled edges
Also Available	ML268_TRH_DESIGNER : Designer Black ML268_TRH_PSS : Polished Stainless Steel
Consumable Advice	Standard Toilet Roll, can hold up to 230 sheets per roll



Downloads & Resources

Care & Maintenance

Installation instructions

Associated Videos

Keeping your Metlam Australia products looking like new

The photographs and line drawings of the products presented above are representational only. Metlam Australia Pty Ltd reserves the right to, and from time to time, make changes and improvements in design and dimensions.