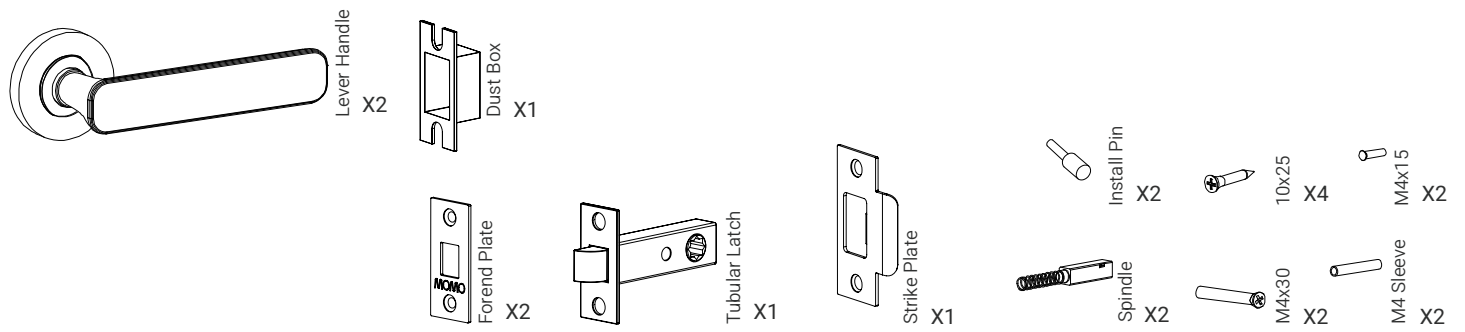


Installation Instructions

Aspen Lever. Tubular Latch, passage and Strike Install

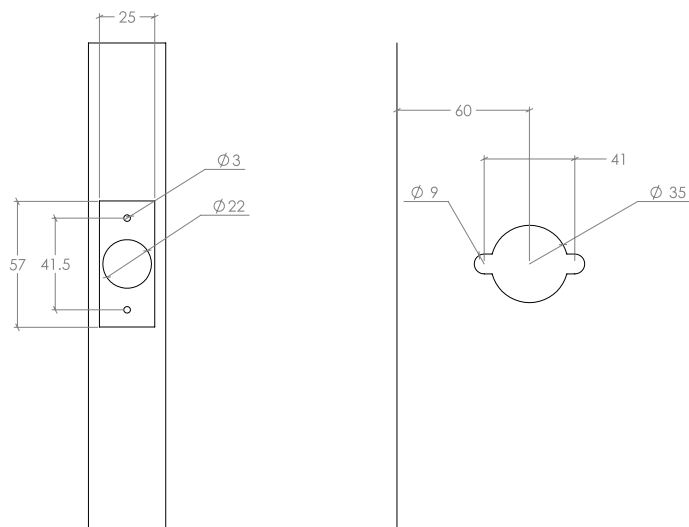


1. Components

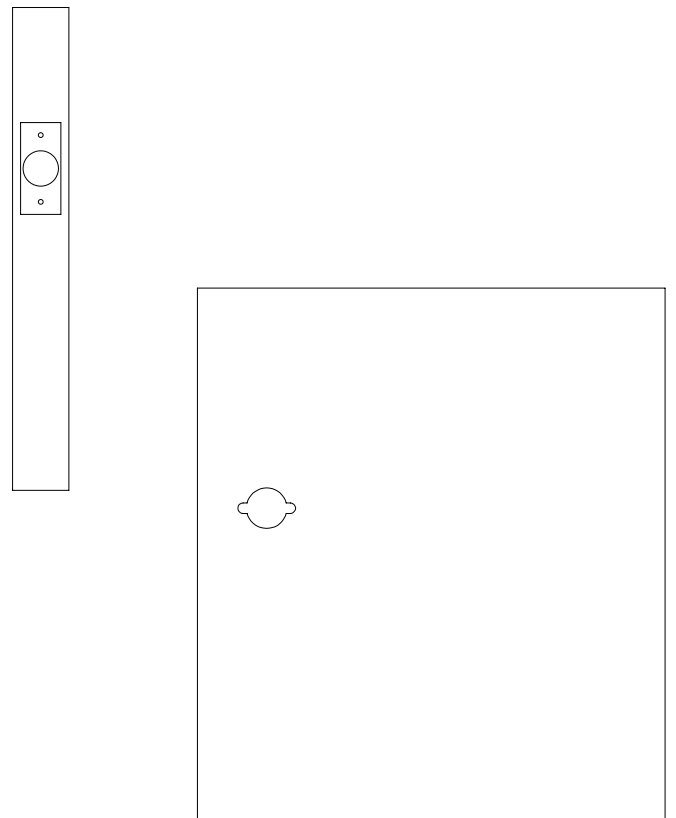


2.

Tubular latch/lock and lever drilling dimensions



3.



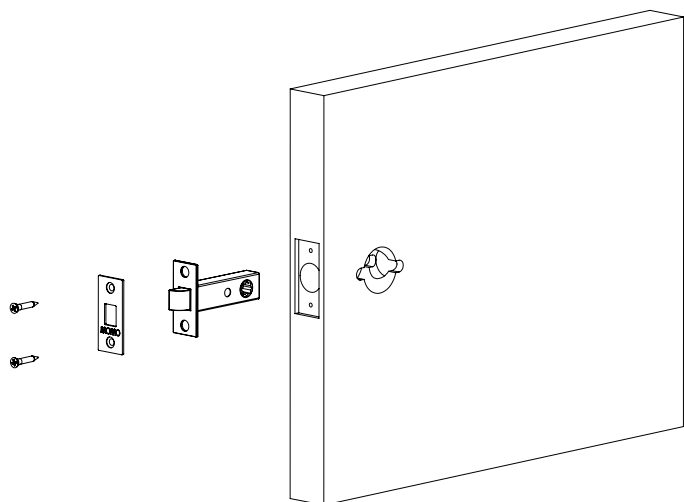
Installation Instructions

Aspen Lever. Tubular Latch, Snib and Strike Install

**MO
MO
HANDLES**

4.

Install Tubular Latch and Lock into the door with associated forend plate using 4x 10Gx25 screws

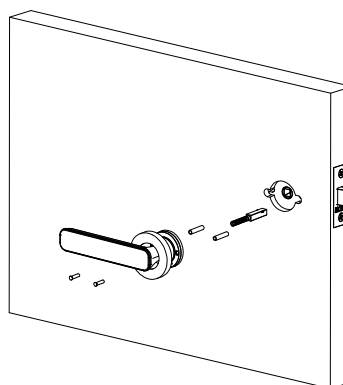


5.

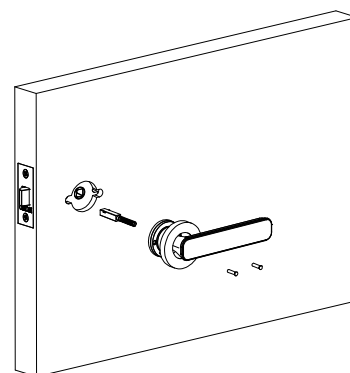
Loosen rosette cover from lever and install 2x M4x15 screw to the Lever

Tighten with the 2x M4 sleeves and insert spindle, spring side first into the lever handle

Install assembly into door

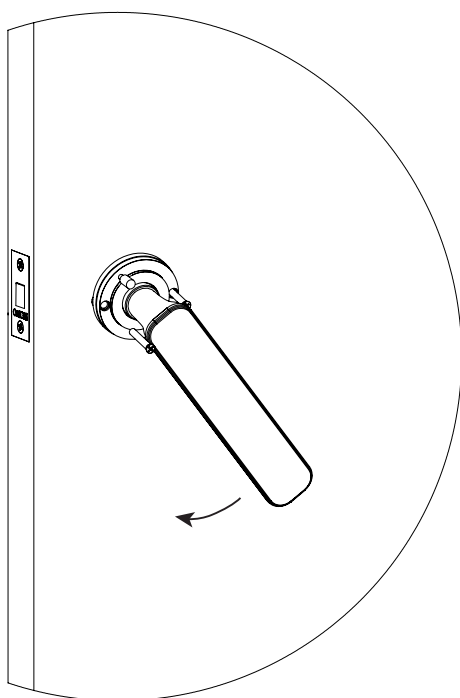


Repeat above step hand tightening M4x30 screws



6.

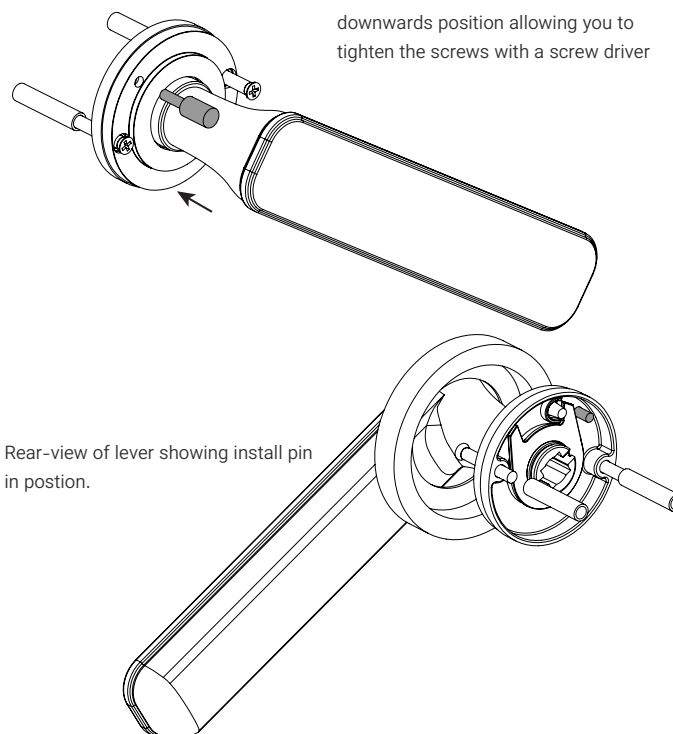
Rotate lever handle down to gain better access to the 2x M4x30 Screws



7.

Insert pin into rosette and release lever

The handle should be locked into a downwards position allowing you to tighten the screws with a screw driver



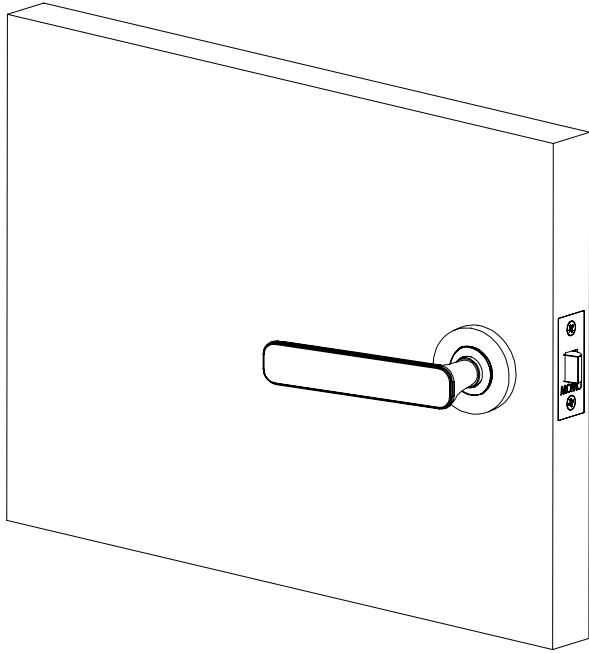
Rear-view of lever showing install pin in position.

Installation Instructions

Aspen Lever. Tubular Latch, Snib and Strike Install

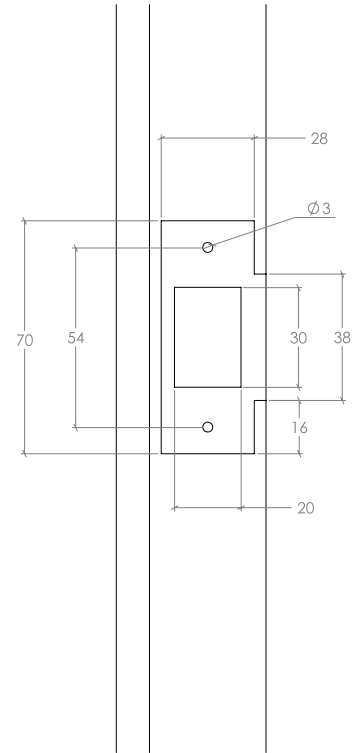
8.

Once secured, reinstall rosette covers by hand and remove plastic covering



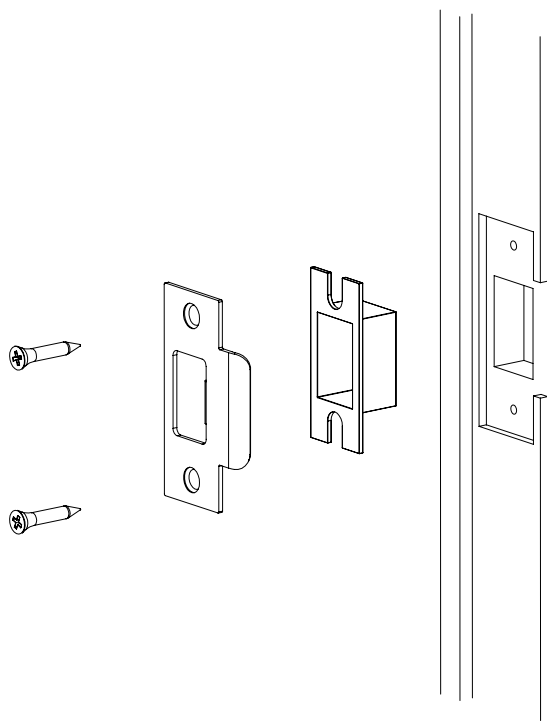
9.

Strike Plate Installation Dimensions



10.

Install 4x 10Gx25 screw along with the dust box and strike plate



11.

