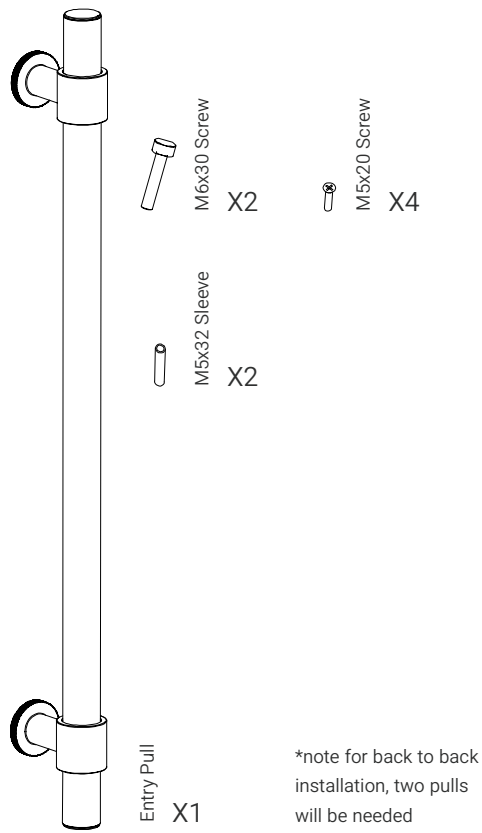


Installation Instructions

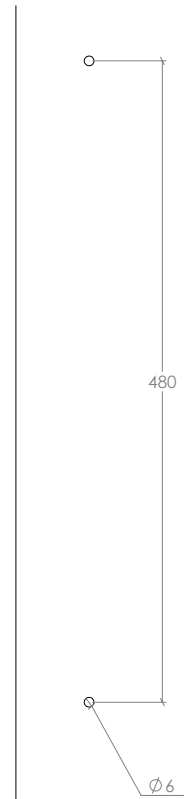
Momo Belgravia Solid Brass Entrance Pull Handle - Back to Back Install



1. Components

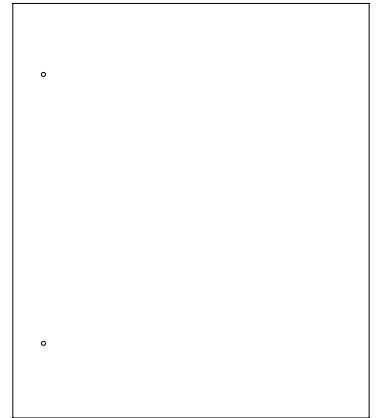


2. Drilling Dimensions

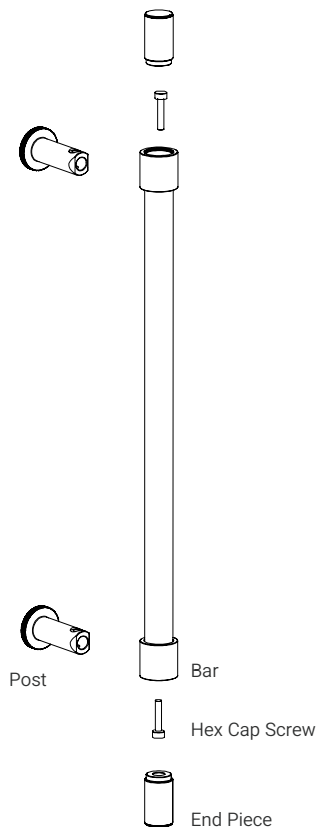


The handles distance from edge of door is to be determined by installer

Pre-Drill a 3mm pilot hole 5-8mm into the door before drilling the 6mm hole



3



Installation Instructions

Momo Belgravia Solid Brass Entrance Pull Handle - Back to Back Install

MO
MO
HANDLES

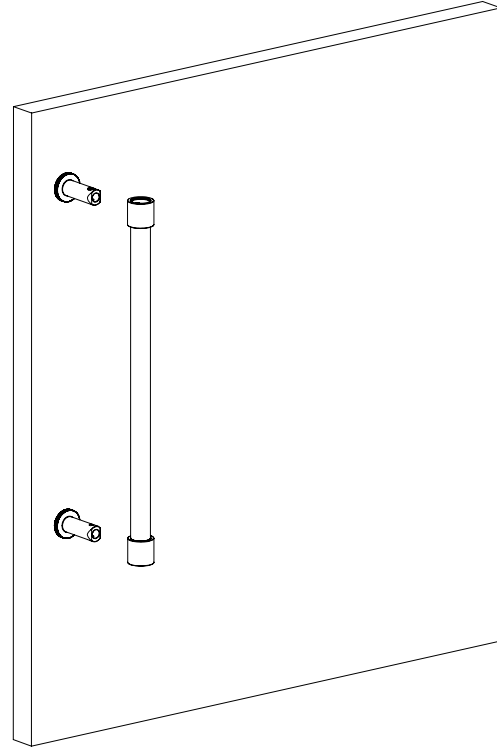
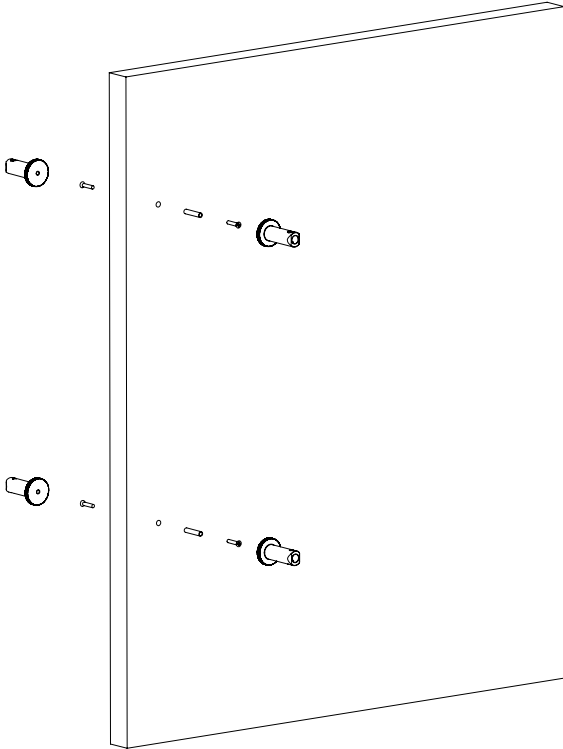
4.

Place M5x20 screw into the entry pull post and secure with the M5 sleeve

Repeat and secure the other side so they are now fixed to the door

Ensure the holes on top of the post are inline vertically

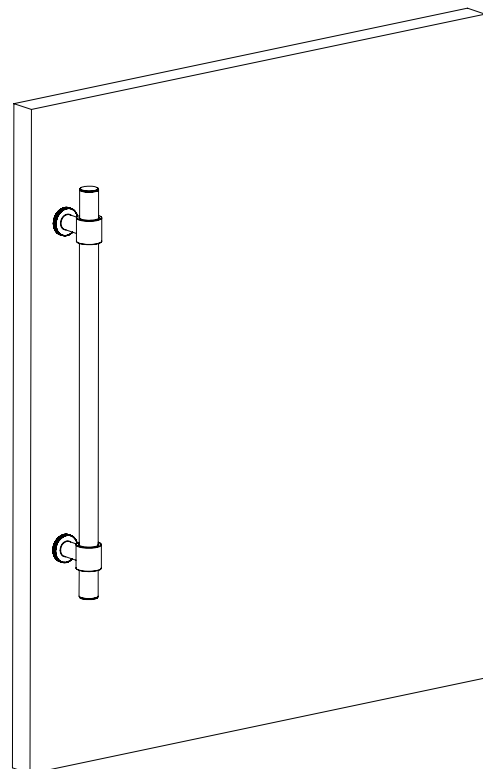
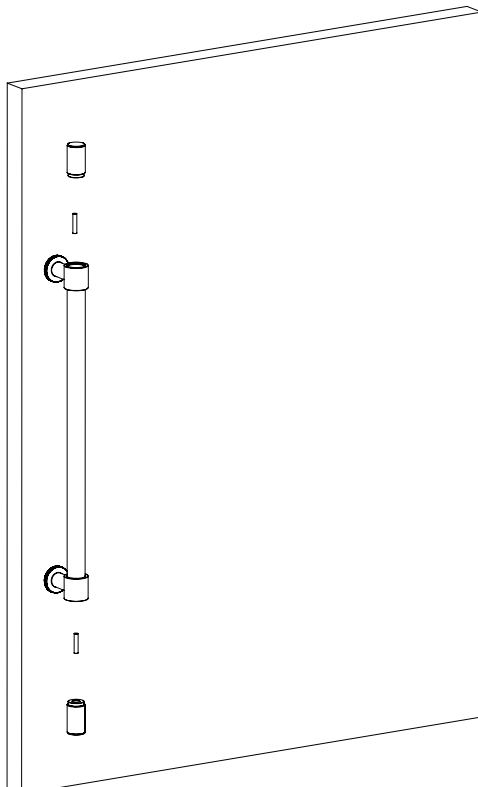
Carefully install the Entry Pull bar over the posts



5.

Secure the bar to the posts with the M6x30 Hex Cap screw

Once secured, install bar end pieces and tighten by hand

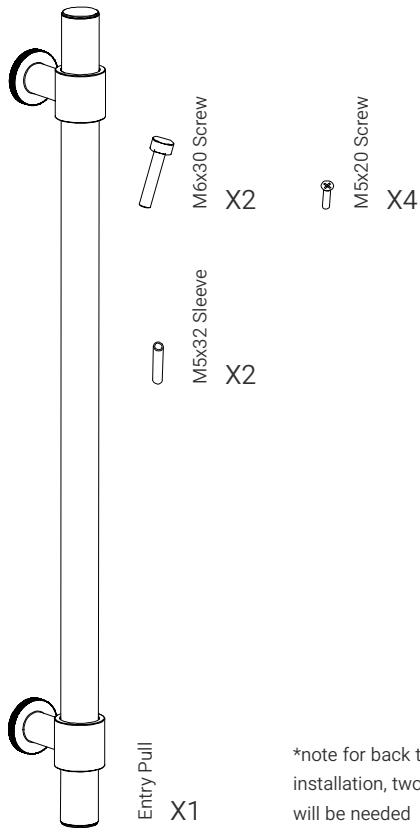


Installation Instructions

Momo Belgravia Solid Brass Door Pull Handle - Back to Back Install

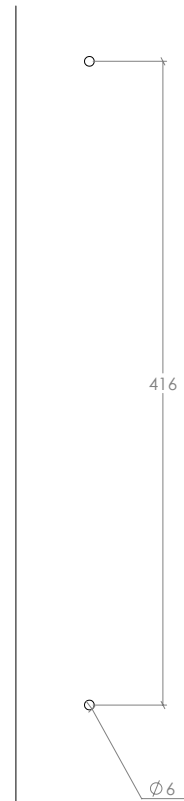


1. Components



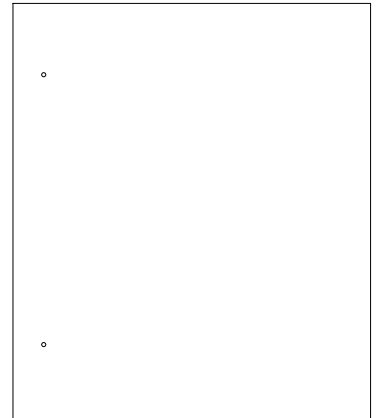
*note for back to back installation, two pulls will be needed

2. Drilling Dimensions

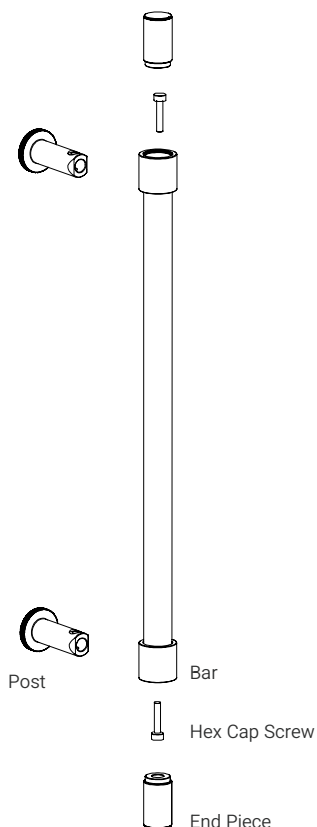


The handles distance from edge of door is to be determined by installer

Pre-Drill a 3mm pilot hole 5-8mm into the door before drilling the 6mm hole



3



Installation Instructions

Momo Belgravia Solid Brass Door Pull Handle - Back to Back Install

MO
MO
HANDLES

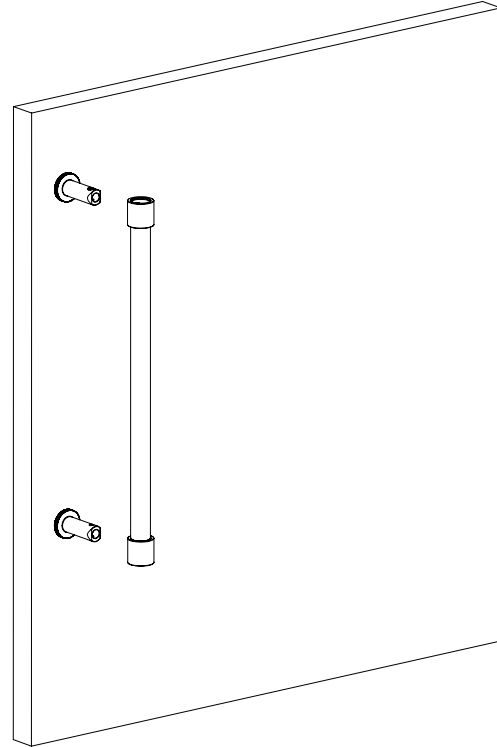
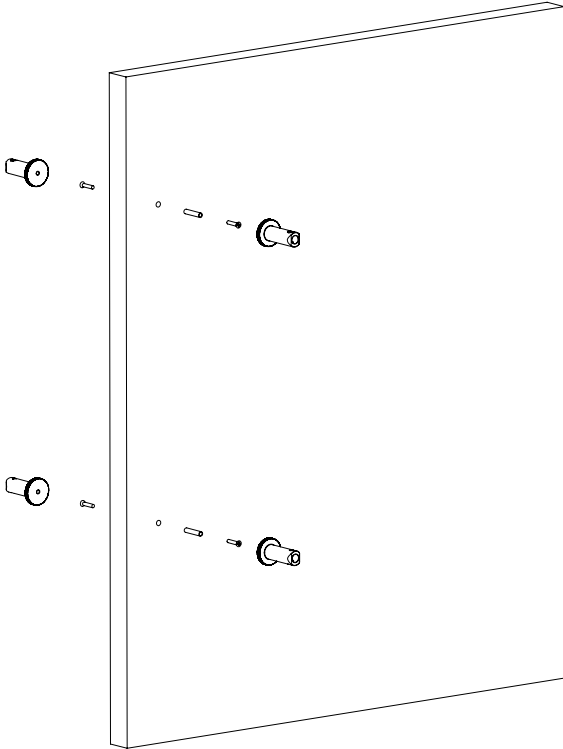
4.

Place M5x20 screw into the entry pull post and secure with the M5 sleeve

Repeat and secure the other side so they are now fixed to the door

Ensure the holes on top of the post are inline vertically

Carefully install the Entry Pull bar over the posts



5.

Secure the bar to the posts with the M6x30 Hex Cap screw

Once secured, install bar end pieces and tighten by hand

