

# Bellevue Door Pulls

The Bellevue Entry Pull combines contemporary elegance with customisation, making it a perfect fit for any modern project. Mirroring the striking design of the lever, its option for personalised textures ensures it complements your unique aesthetic whilst creating a bold statement for the front door.



STYLES	Plain Entry Pull: BVEPPL   Lined Entry Pull: BVEPLD   Knurled Entry Pull: BVEPKN Plain Door Pull: BVPLAP.416BB   Lined Door Pull: BVLDAP.416BB   Knurled Door Pull: BVKNAP.416BB
--------	---

FINISHES	<span style="display: inline-block; width: 15px; height: 15px; background-color: #D4AF37; border: 1px solid black; margin-right: 5px;"></span> Brushed Satin Brass (BSB) <span style="display: inline-block; width: 15px; height: 15px; background-color: #A9A9A9; border: 1px solid black; margin-left: 20px; margin-right: 5px;"></span> Dull Brushed Nickel (DBR) <span style="display: inline-block; width: 15px; height: 15px; background-color: #1A1A1A; border: 1px solid black; margin-left: 20px; margin-right: 5px;"></span> Matt Black (MBL) <span style="display: inline-block; width: 15px; height: 15px; background-color: #6B4E21; border: 1px solid black; margin-left: 20px; margin-right: 5px;"></span> Bronze (BNZ) <span style="display: inline-block; width: 15px; height: 15px; background-color: #4B4B4B; border: 1px solid black; margin-left: 20px;"></span> Dark Brushed Brass (DBB)
----------	--

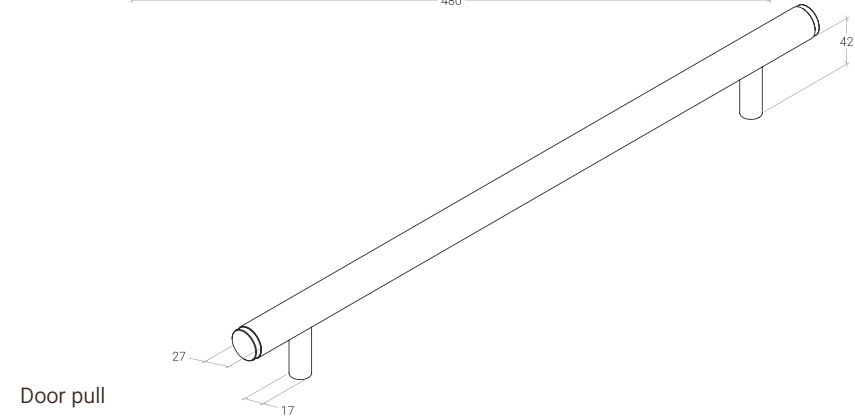
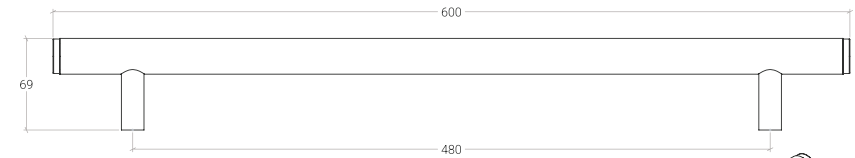
## Entry Pull

- Large size suitable for entrance doors
- Quality construction and robust finish coatings
- Unique engineering conceals fixing screws and allows back to back fixing
- Supplied with installation hardware

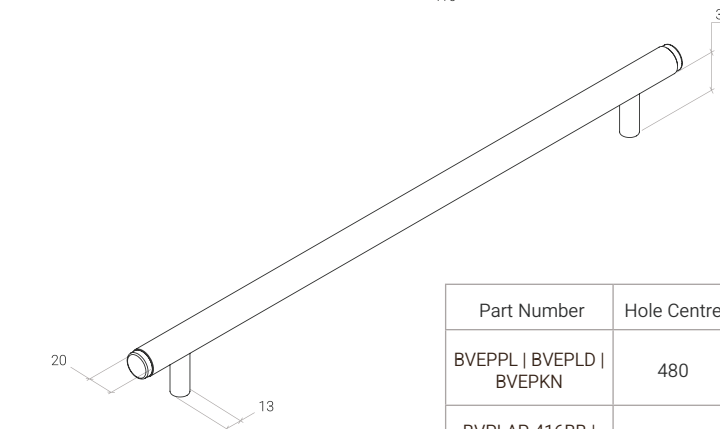
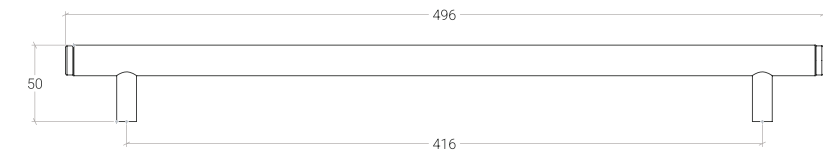
## Door Pull

- 20mm diameter bar suitable for heavy appliances or large doors
- Quality construction and robust finish coatings
- Unique engineering conceals fixing screws and allows back to back fixing
- Supplied with installation hardware

## Entry pull



## Door pull



Part Number	Hole Centre	Overall Length	Projection
BVEPPL   BVEPLD   BVEPKN	480	600	69
BVPLAP.416BB   BVLDAP.416BB   BVKNAP.416BB	416	496	50

**MO  
MO**  
HANDLES