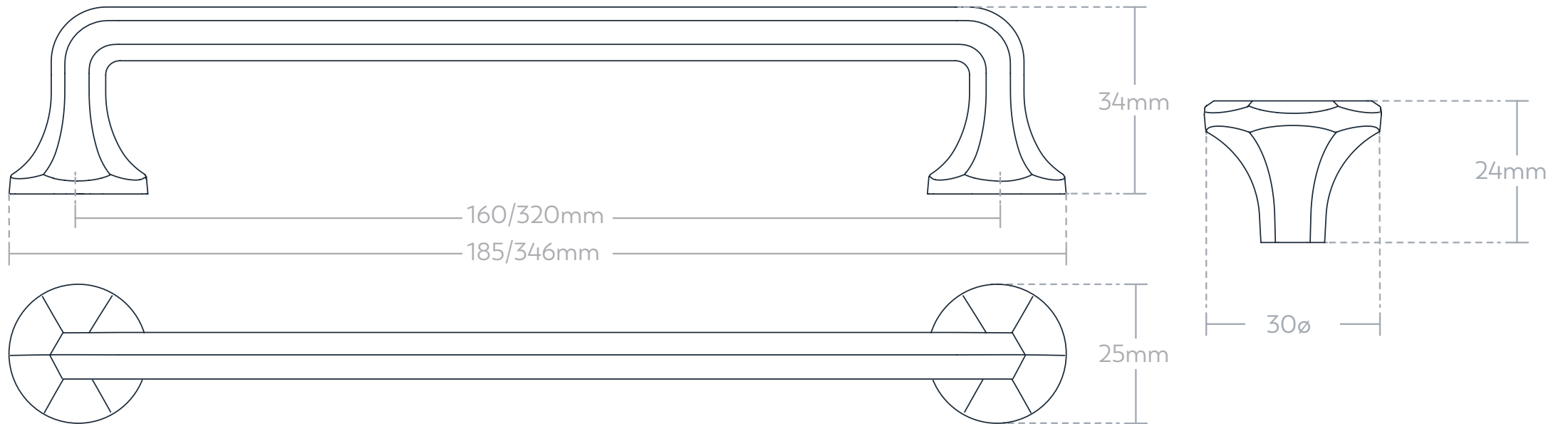


Caselle Handles



D Handle - CDH320 (320mm), CDH160 (160mm)

Knob - CFK030

Part Number	Hole Centre (C)	Overall Length (L)	Width (W)	Projection (P)
CDH320	320	346	25	34
CDH160	160	185	25	34
CFK030		30 \emptyset		24