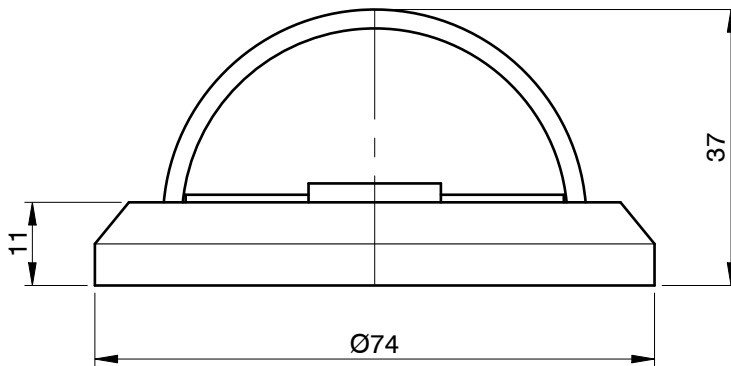
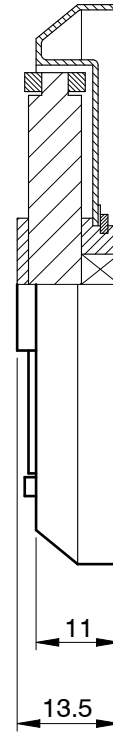
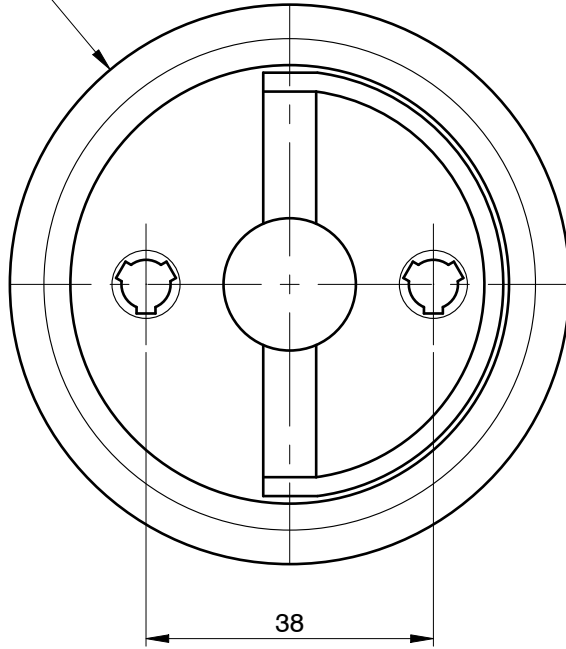
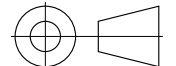


Ø74



SUPPLIED WITH 8mm SQUARE SPINDLE

3rd ANGLE PROJECTION



A4

Flush Pull SS Round Ring Latching 74mm

APPLICABLE
TO ALL
FINISHES

PRODUCT CODE:
3746