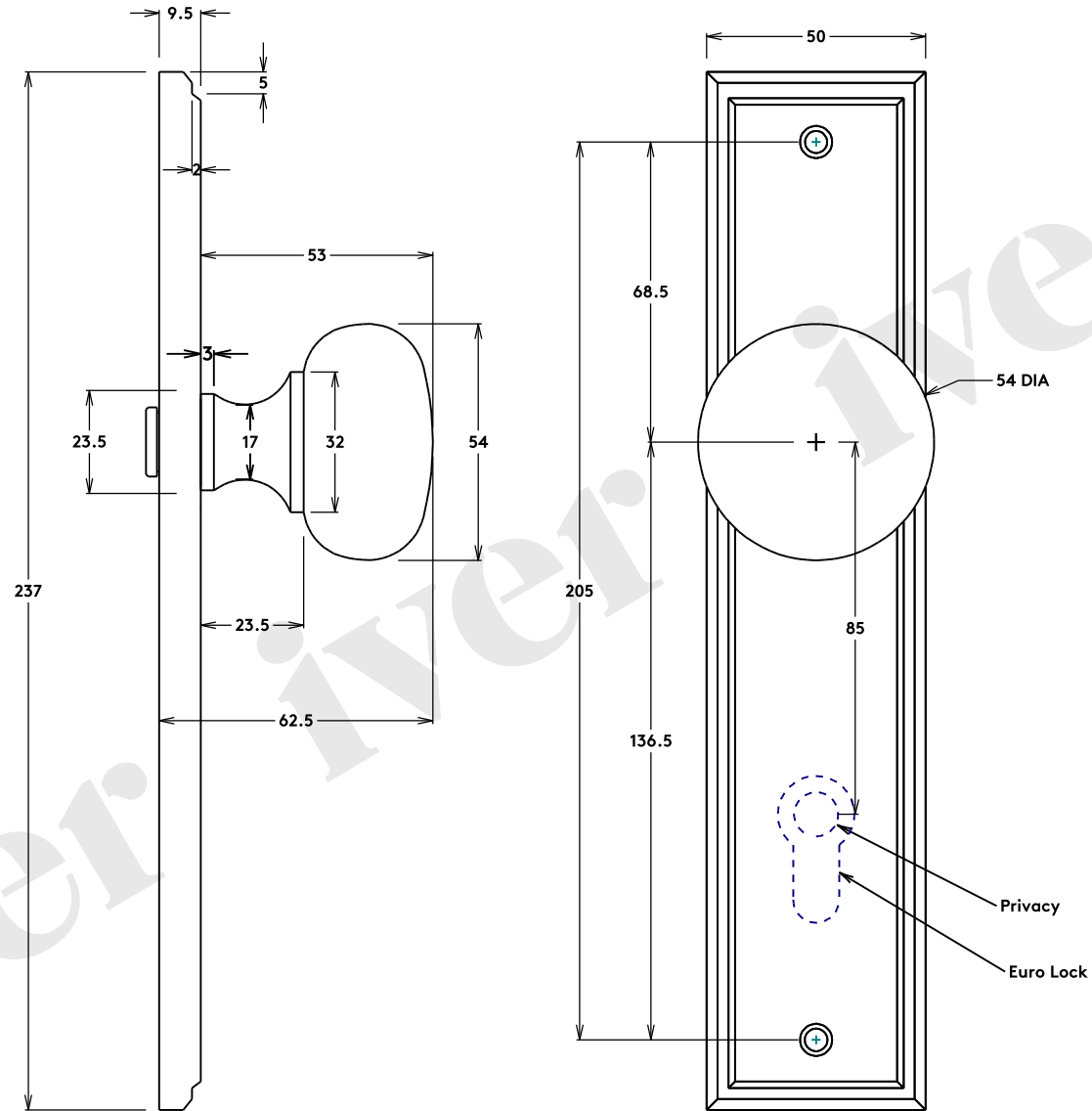




14 - 16 STEPNEY STREET STEPNEY SA 5069

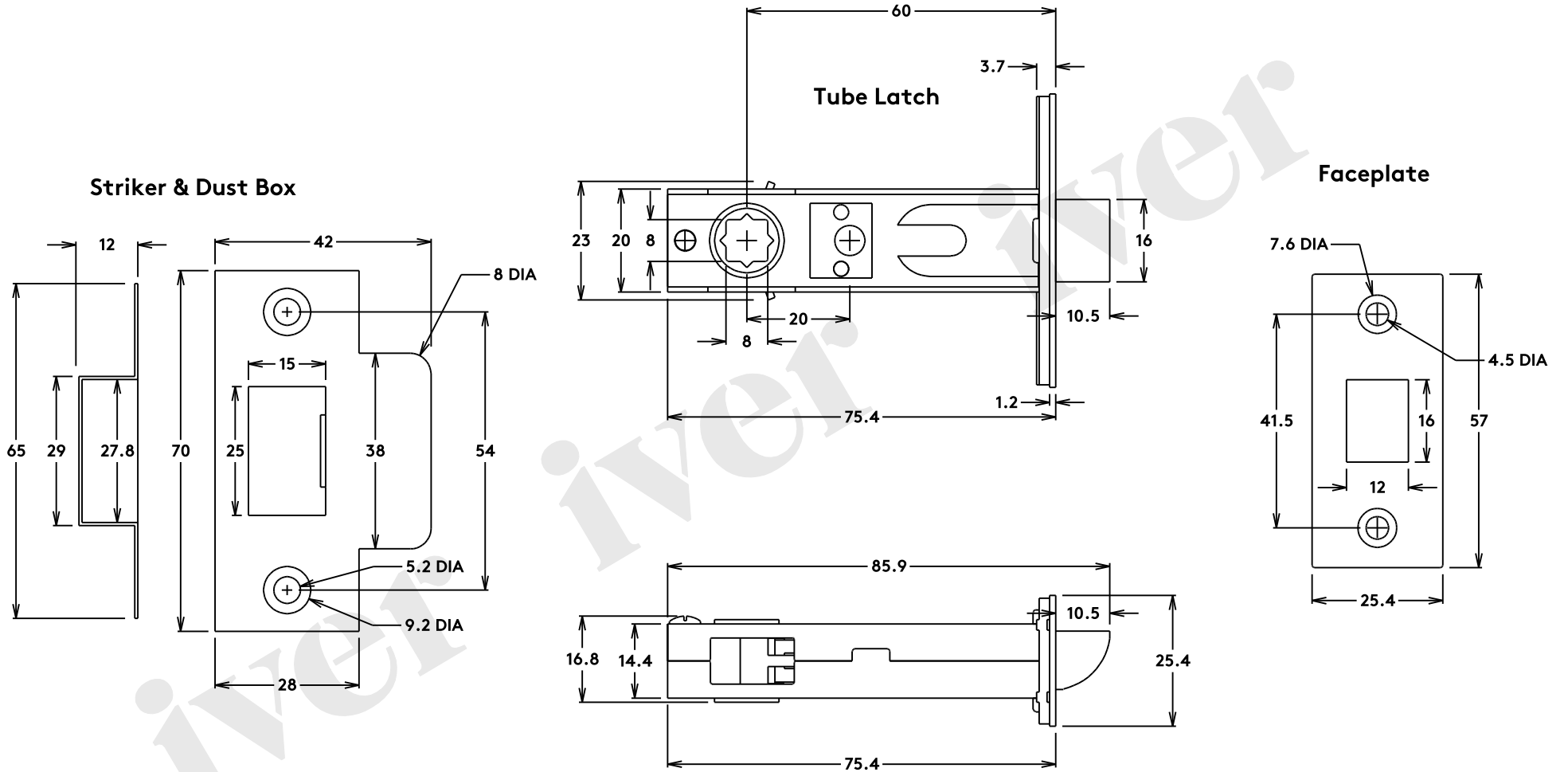
# Door Knob Cambridge Stepped Latch/Privacy/Euro Pair H237xW50xP63mm



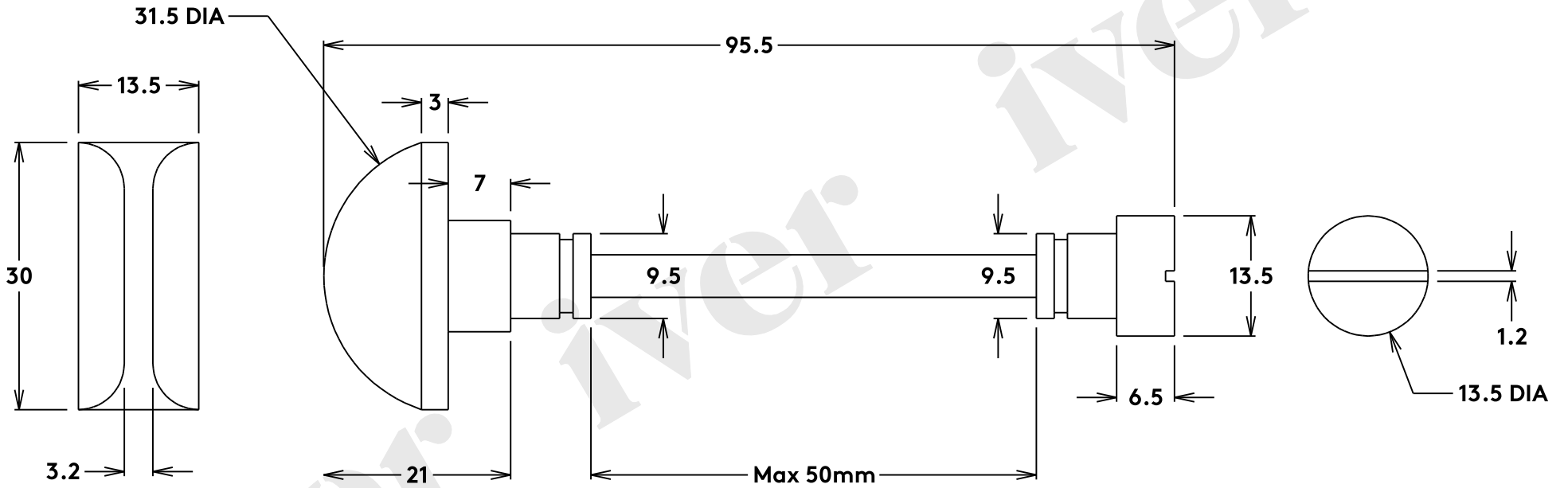
Date 9/12/2021 Revision B

Tolerance +/-1mm

## Tube Latch Split Cam 'T' Striker Hard & Soft Sprung Backset 60mm



## Component Privacy Adaptor



## Privacy Bolt Round Bolt Backset 60mm

