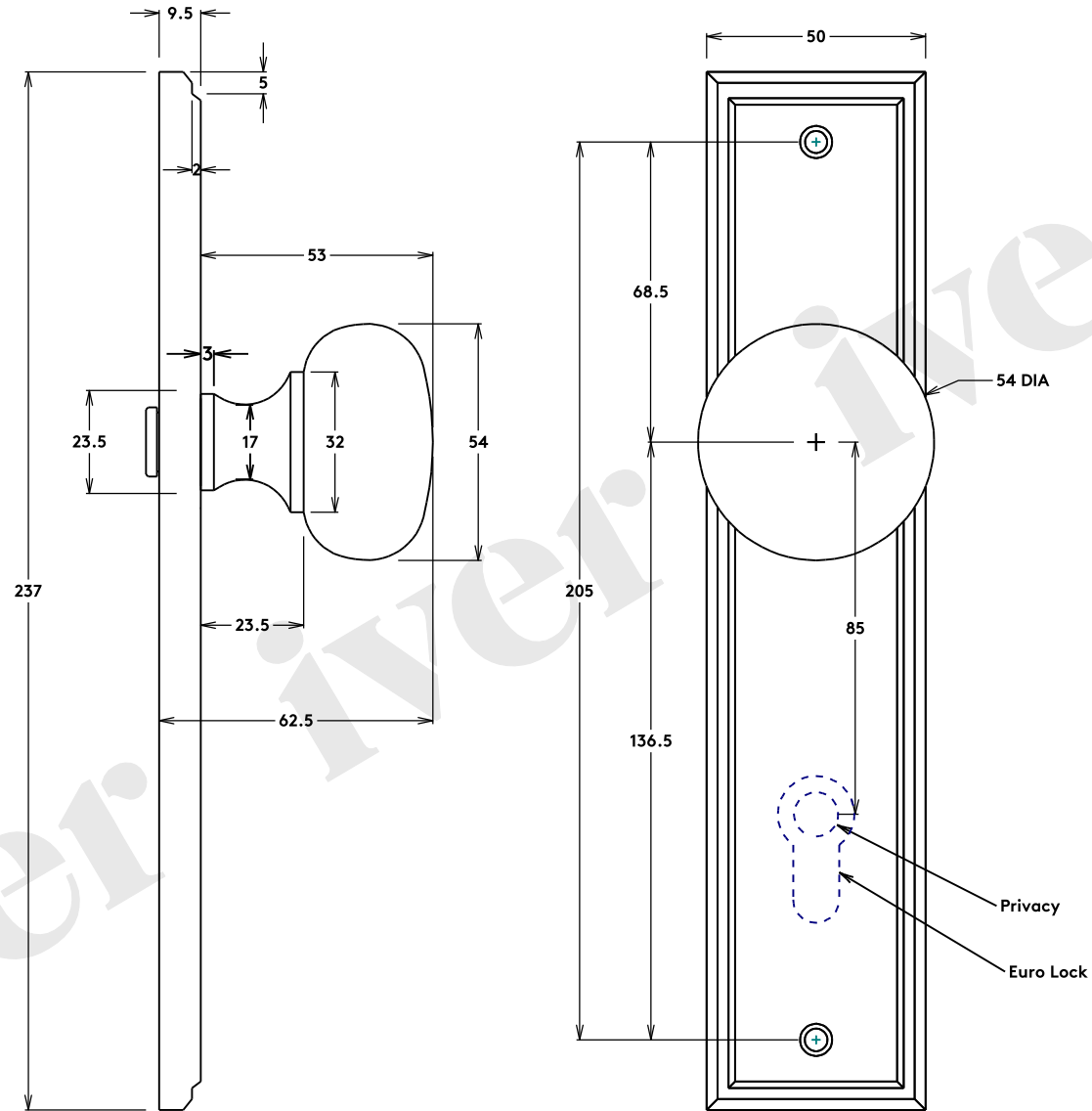




14 - 16 STEPNEY STREET STEPNEY SA 5069

# Door Knob Cambridge Stepped Latch/Privacy/Euro Pair H237xW50xP63mm



Date 9/12/2021 Revision B

Tolerance +/-1mm