

PRODUCT DATA SHEET

PRODUCT CODE: 5327

ROUND CAVITY SUITE



Specifications:

65mm diameter

Flush turn design. Allows door to slide right back into cavity.

Standard 54mm hole size with a template and instructions included for fast and easy installation.

Each kit includes an edge pull which enables a user to pull the door from a cavity with ease.

Suits 32-38mm door thickness. Adaptor kits available for bigger doors.

10 year warranty for your peace of mind.

Comes in smart display packaging ? Looks great in a retail environment.

Available in : **Stainless Steel, Matt Black, Chrome Plate,
Graphite Nickel and Satin Brass**

SCAN FOR MORE INFO



Cavity Slider Locking Kit Installation Instructions

Read this guide thoroughly before installation and follow the instructions.

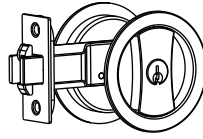
This product is designed for lightweight interior doors. Do not use it on exterior or heavy metal doors.

Door Thicknesses

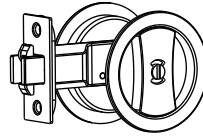
Entry : 35 mm~55 mm

Privacy : 31 mm~51 mm

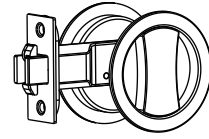
Communicating : 31 mm~51 mm



Entry



Privacy



Communicating

Select the length of mounting screws based on the thickness of the door.

Door thicknesses	Length of mounting screw
31~35 mm	12 mm
35~40 mm	18 mm
40~45 mm	22 mm
45~55 mm	28 mm

Tailpiece lengths (Entry)

Door thicknesses	Length
35~41 mm	23 mm
41~48 mm	31 mm
48~55 mm	39 mm

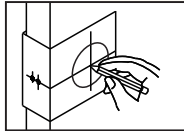
(Privacy)

Door thicknesses	Length
31~36 mm	29 mm
36~44 mm	37 mm
44~51 mm	45 mm

(Communicating)

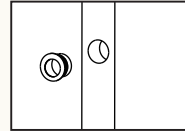
Door thicknesses	Length
31~42 mm	30 mm
42~51 mm	42 mm

Mark Door with Template



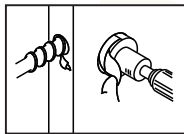
Fold the paper guide and place it on the corner of the door 914mm from the floor (from floor to center of drilling point indicated by pencil in illustration). Make markings on the face and side of the door with the holes on the paper guide.

Install the Sliding Door Finger Pull

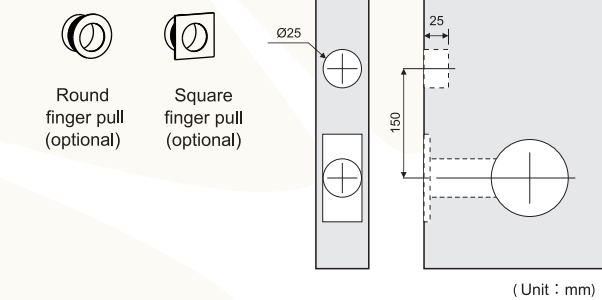
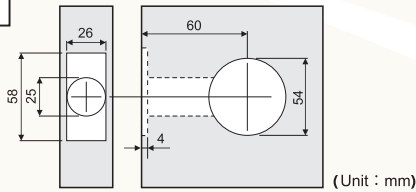


Install the finger pull on the side of the door. Drill a hole 25 mm in diameter and in depth 150 mm above the center of the lock, and then press the finger pull into the hole. (Optionally use construction adhesive to further secure the installation.)

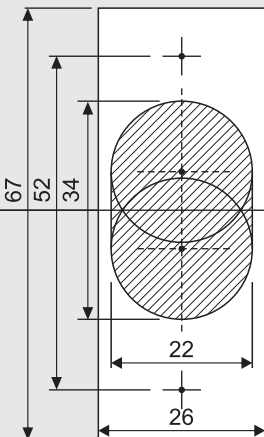
Drill Holes



Drill the 54 mm diameter lock body hole on the face of the door and the 25 mm diameter latch bolt hole on the side of the door as indicated by the markings.



STRIKE TEMPLATE



TEMPLATE Right-handed door

Fold on dotted line and fit on door edge

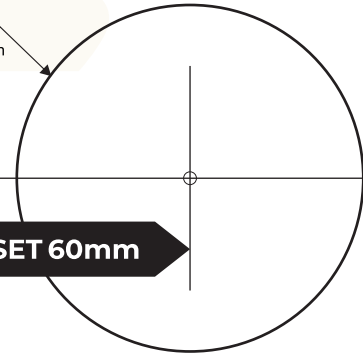
55 45 40 35 31

Make 25.4mm hole at center of door edge. center points for total door width indicated above.

Ø54mm

Caution: Drill from both faces of the door to prevent door cracking.

FOR BACKSET 60mm

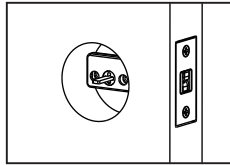
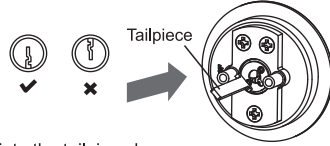


Install Latch and Outside Lock

Entry Lock

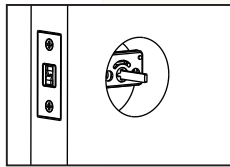
Note the correct orientation of the keyhole.
Select the appropriate length for the tailpiece based on the thickness of the door.

Insert the tailpiece at an angle into the tailpiece base.
When the door is below 35 mm in thickness, use a plastic washer.



Right-handed door

Turn the tailpiece to a horizontal position and insert it through the latch transmission plate.



Left-handed door

Turn the tailpiece to a vertical position and insert it through the latch transmission plate.



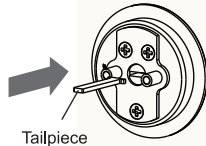
Privacy & Communicating Lock

Turn the indicator to the green (unlocked) position.



Select the appropriate length for the tailpiece based on the thickness of the door.

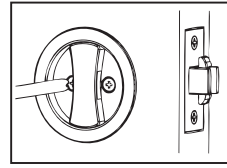
Insert the tailpiece into the tailpiece base, turn in to the horizontal orientation, and push it through the latch transmission plate.



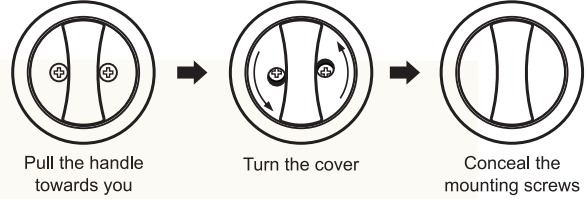
The tailpiece should be in the horizontal orientation.

Install the Inside Lock

Pull the handle upwards and turn the decorative cover to expose the mounting holes.
Select the length of mounting screws based on the thickness of the door and secure the inside lock body. Do not over tighten screws.
Turn the handle to check if it works properly.

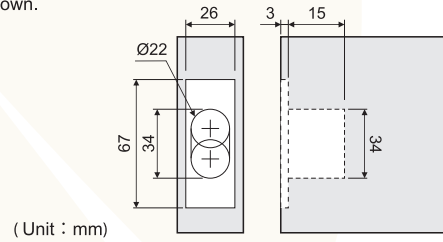


Pull the handle towards you, turn the decorative cover, and then turn the handle again to conceal mounting screws.



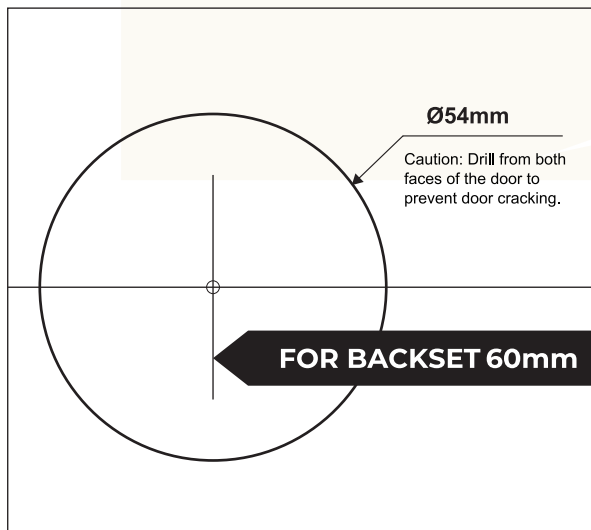
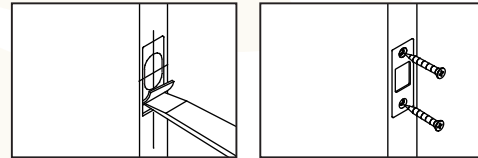
Install Strike

On the door frame, align the center of the strike with the center of the latch bolt faceplate and trace its edges.
Drill holes as shown.



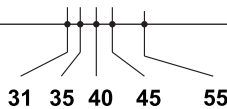
(Unit : mm)

Chisel a 3 mm-deep indentation within the traces of the strike.
Place the strike flush with the door frame and secure it with screws.



TEMPLATE Left-handed door

Fold on dotted line and fit on door edge



Make 25.4mm hole at center of door edge.
Centre points for total door width indicated above.

STRIKE TEMPLATE

